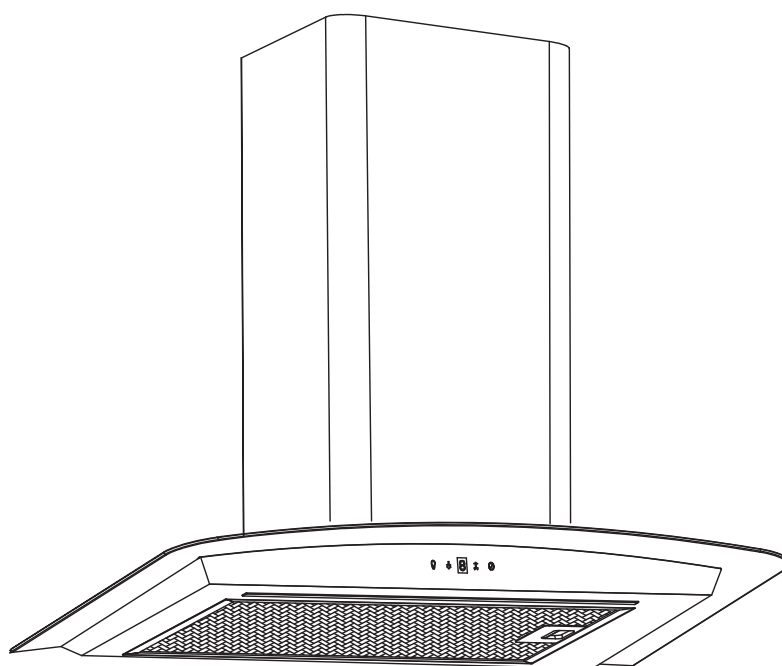
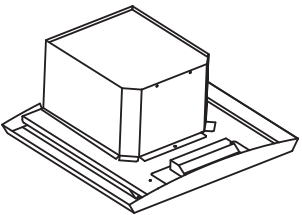
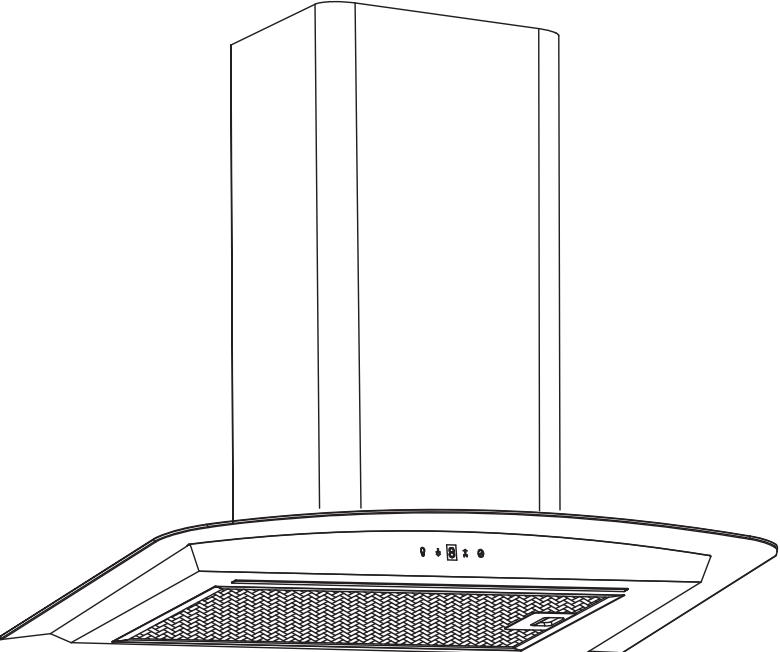


# Instruction Manual

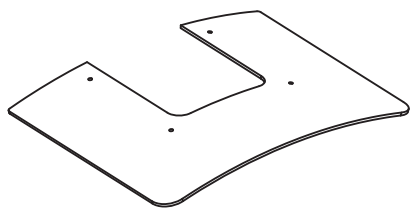
## Cooker Hood

MODEL:ICONCG60RF

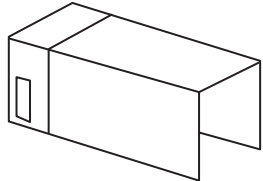




[01] x1



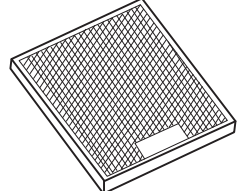
[02] x1



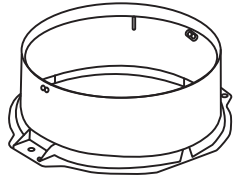
[03] x1



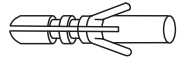
[04] x1



[05] x1



[06] x1



[07] x6



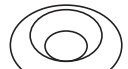
[08] x6  
(4 x 32mm)



[09] x4  
(3.5 x 10mm)



[10] x4



[11] x4

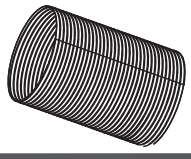


[12] x4

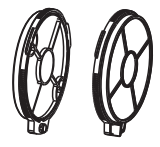


[13] x1

EN Not included



VENT PACK (Ø150mm)



CARBFLT4

EN This appliance includes a universal motor body. Replacement glass panels are available. Please contact the customer service helpline for advice at the end of the Care & Maintenance section.

# Cooker Hood

## ICONCG60RF



18

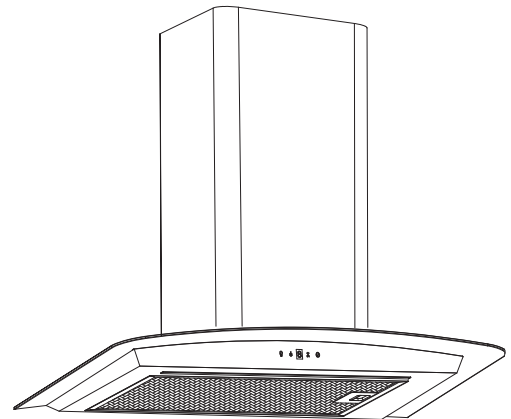
# Let's get started...

<b>Getting started</b>	05
<b>safety</b>	06
<b>Specifications</b>	07
<b>Installation</b>	08
<b>Use</b>	18
<b>care and maintenance</b>	22



# Getting Started...

Getting started...



## safety instruction

---

- There shall be adequate ventilation of the room when the range hood is used at the same time as appliances burning gas or other fuels;
- There is a fire risk if cleaning is not carried out in accordance with the instructions;
- Do not flambe under the range hood;
- CAUTION:** Accessible parts may become hot when used with cooking appliances.
- The air must not be discharged into a fuel that is used for exhausting fumes from appliances burning gas or other fuels;
- Regulations concerning the discharge of air have to be fulfilled
- This appliance is not intended for use by persons (including children) with reduced physical, sensory or mental capabilities, or lack of experience and knowledge, unless they have been given supervision or instruction concerning use of the appliance by a person responsible for their safety.
- This appliance can be used by children aged from 8 years and above and persons with reduced physical, sensory or mental capabilities or lack of experience and knowledge if they have been given supervision or instruction concerning use of the appliance in a safe way and understand the hazards involved. Children shall not play with the appliance. Cleaning and user maintenance shall not be made by children without supervision.
- Disconnection must be incorporated in the fixed wiring in accordance with the wiring rules.

## Specifications

### Specifications

Voltage : 220-240V ~50Hz

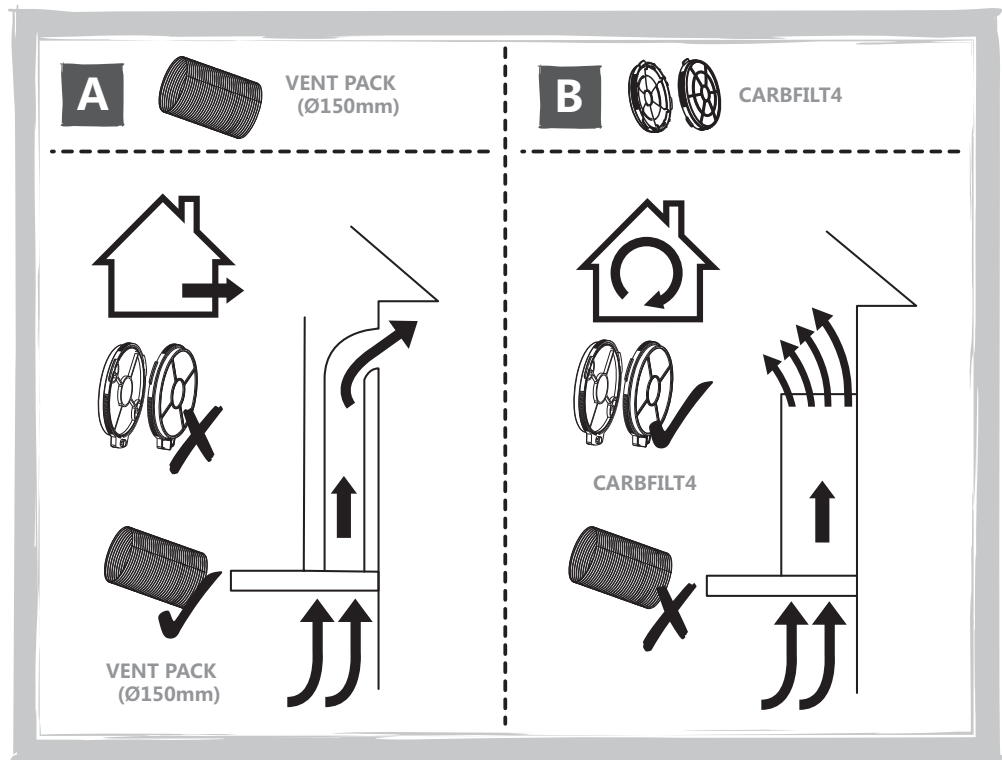
Motor power : 90W

Lamp power : 1\*3W

DSL	3	s	No cap	385mmx10mm
-----	---	---	--------	------------

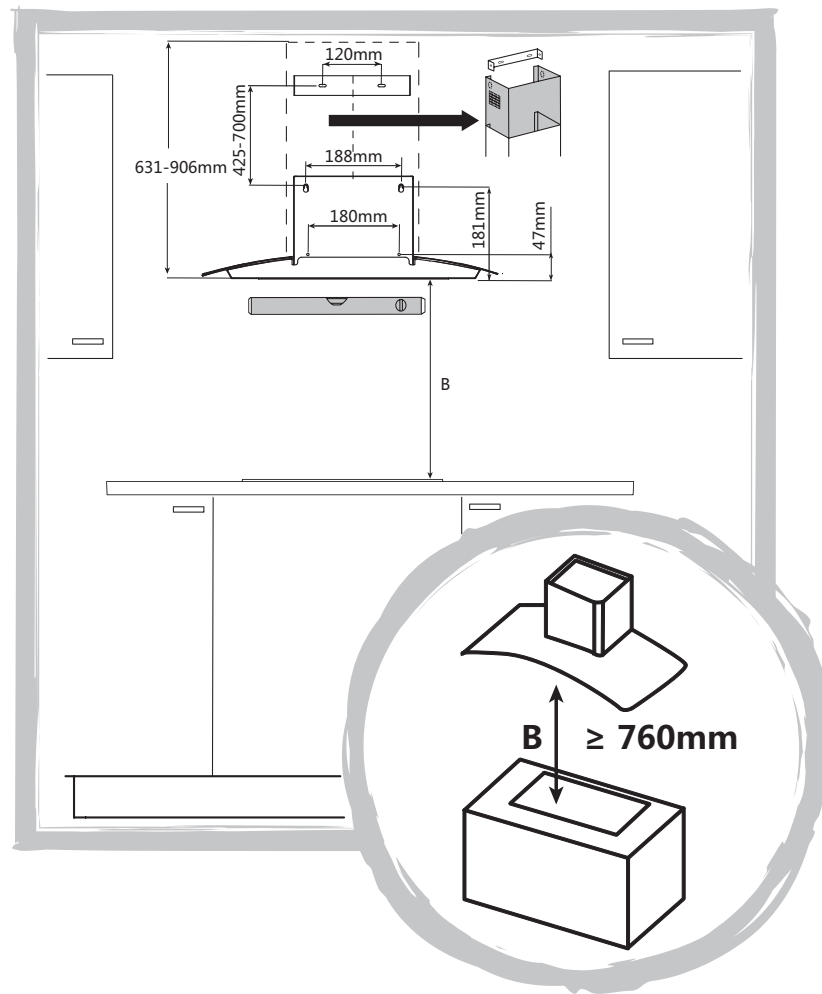
Getting started...

01



Choose a type of installation: Ducted option A (extraction to the outside) or Recirculation option B (no extraction to the outside). This appliance is for installation on a wall only.

02



Mark the wall with the hole positions as shown in the diagram. The fixing supplied are suitable for solid walls only. When fixing to any other type of wall use suitable alternative fixings

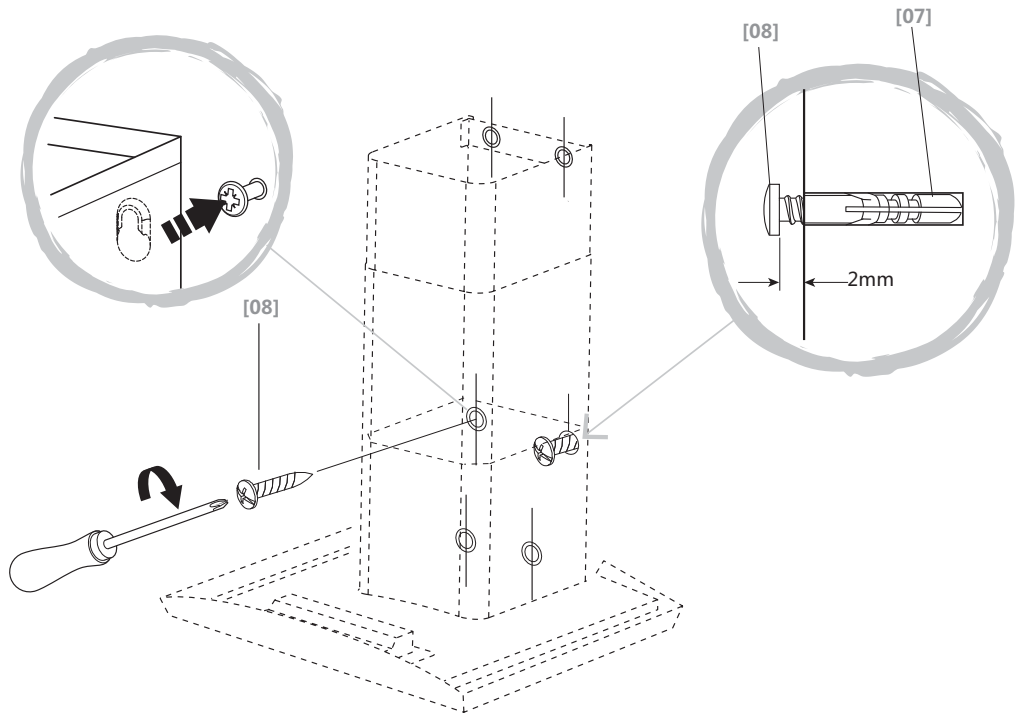
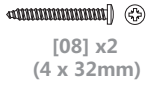
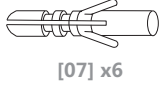
**Warning: Caution!** Before drilling it is extremely important to check the wall for hidden pipes, electrical cables etc using an appropriate detection device. For safety reasons, use only the same size fixings and screws which are recommended in this instruction manual. Failure to install the appliance in accordance with these instructions may result in electrical hazards.

Drill the holes, insert the wall plugs in all 6 holes. Insert the screws in the middle 2 holes. Maximum gap between top two holes and middle two holes should be no more than 700mm, dependent upon the ceiling height.

**WARNING:** Do not over tighten to avoid damaging the glass.

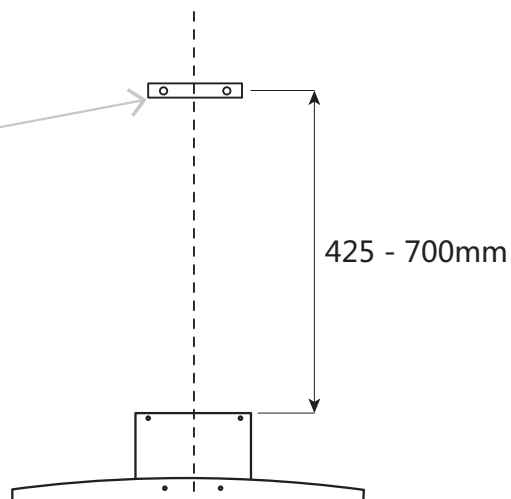
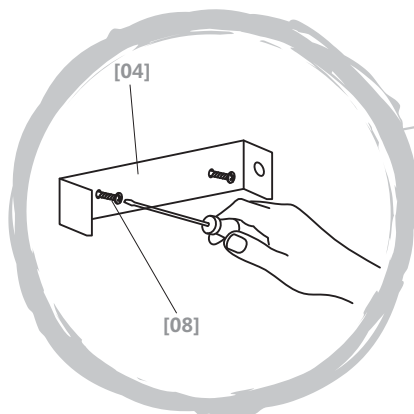
# Installation

03



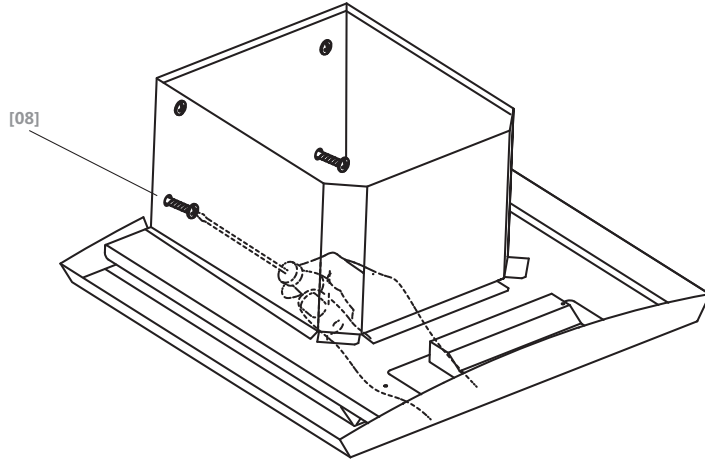
Installation...

## 04

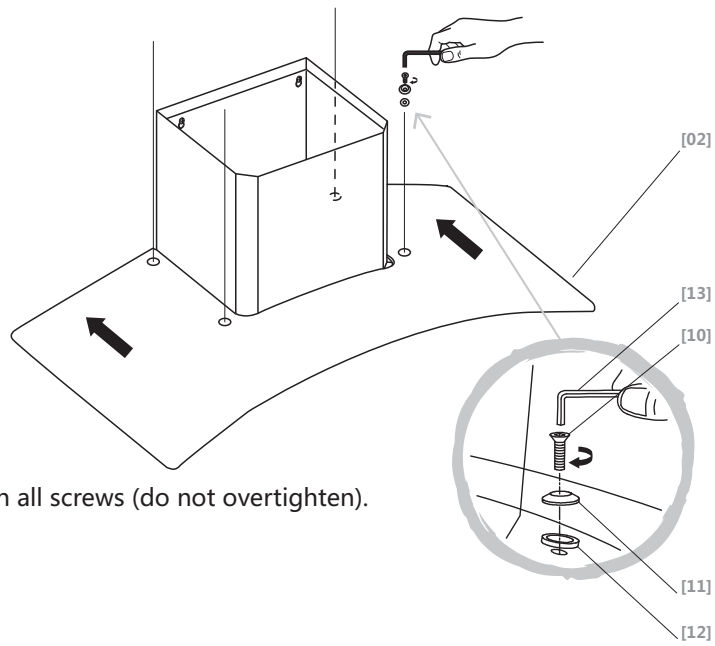
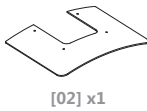


**WARNING:** Use only the same size of fittings and mounting screws a recommended in this instruction manual. Failure to follow these instructions may result in electrical hazards.

05



06



Tighten all screws (do not overtighten).

# A

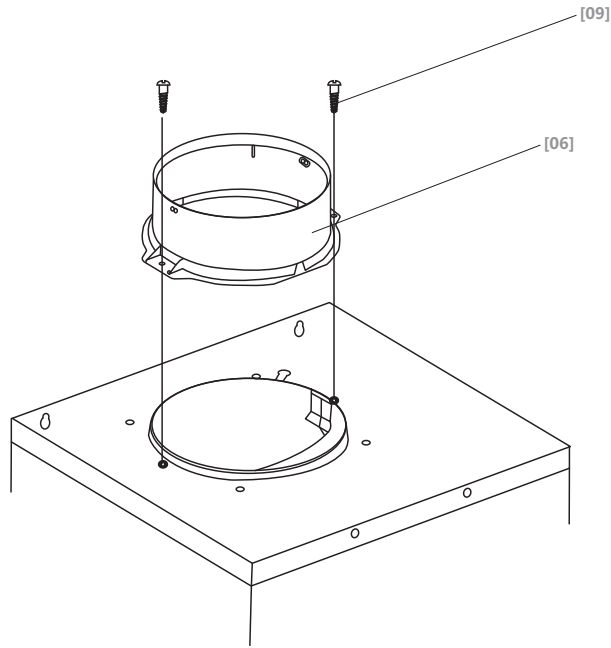
## 07 A



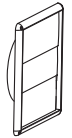
[06] x1



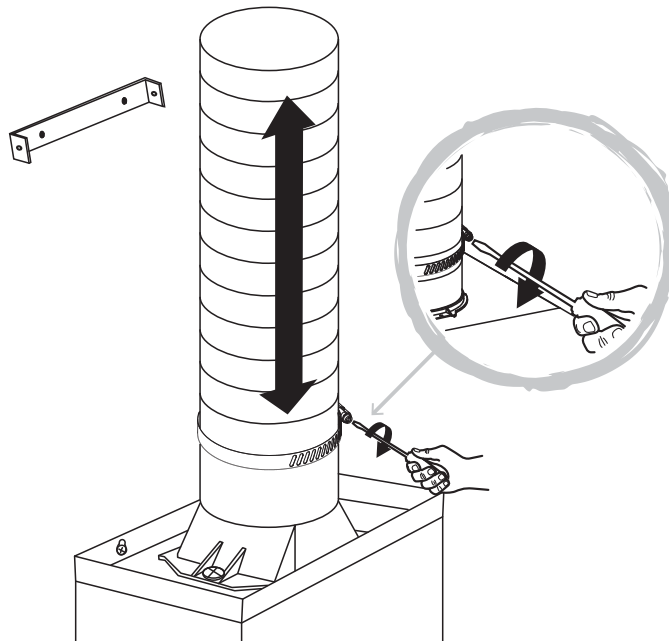
[09] x2  
(3.5 x 10mm)



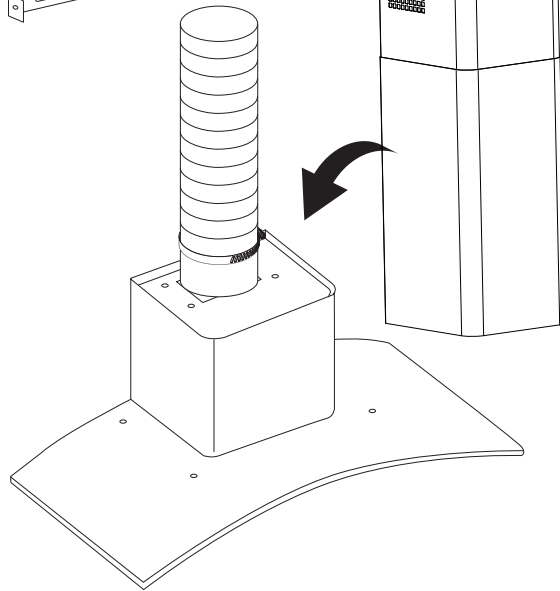
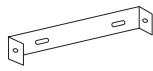
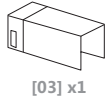
## 08 A



VENT PACK  
(150mm)



09 **A**

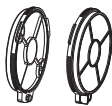


12

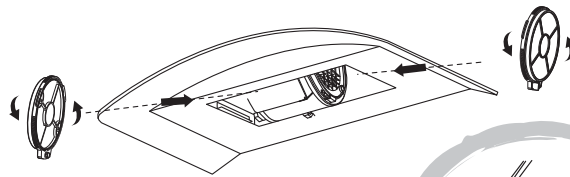
**B**

Only for recirculation option.

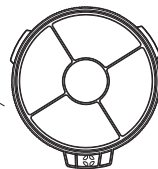
10 **B**



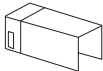
CARBFILT4



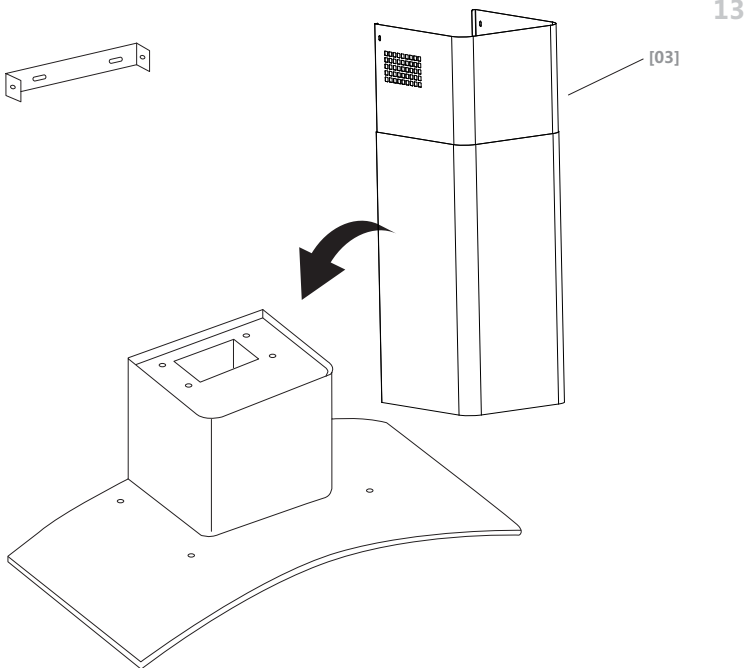
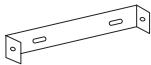
CARBFILT4



**11** **B**



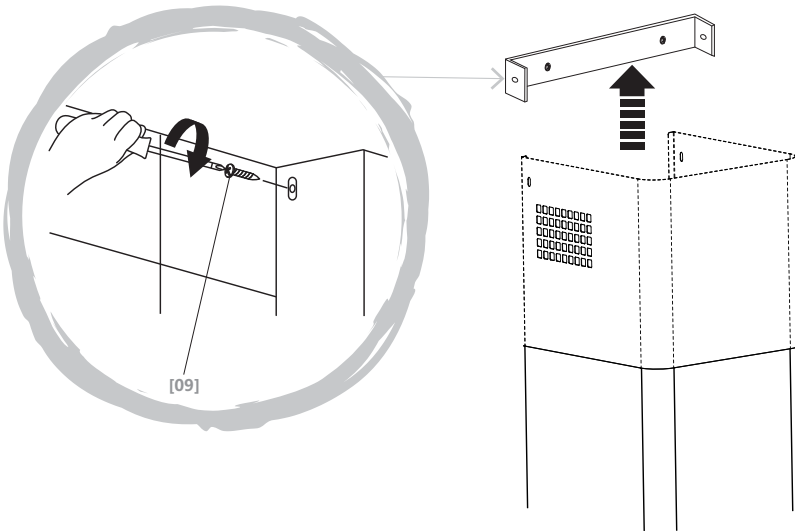
[03] x1



**A** + **B**

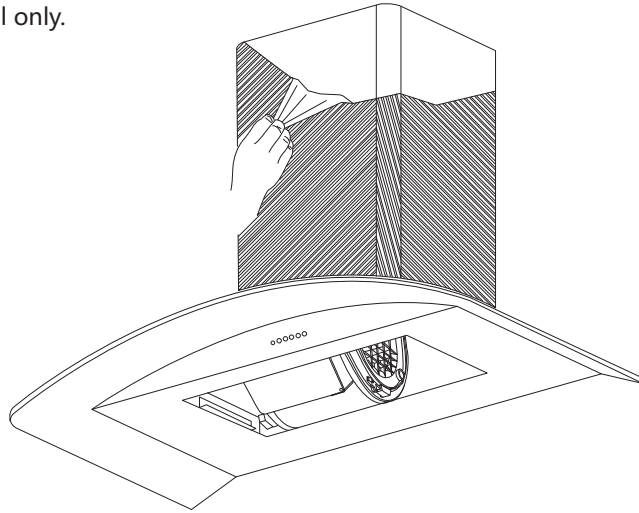
**12**

 [09] x2  
(7.5 x 10mm)

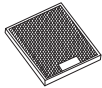


13

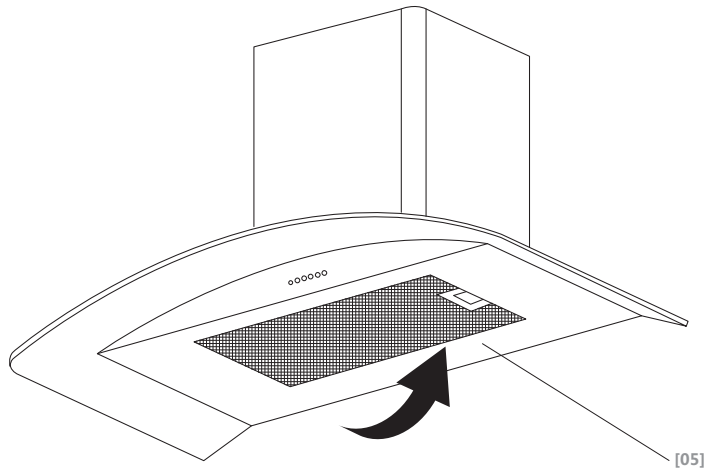
Stainless steel only.



14



[05] x1




All installation must be carried out by a competent person or qualified electrician. Before connecting the mains supply ensure that the mains voltage corresponds to the voltage on the rating plate.

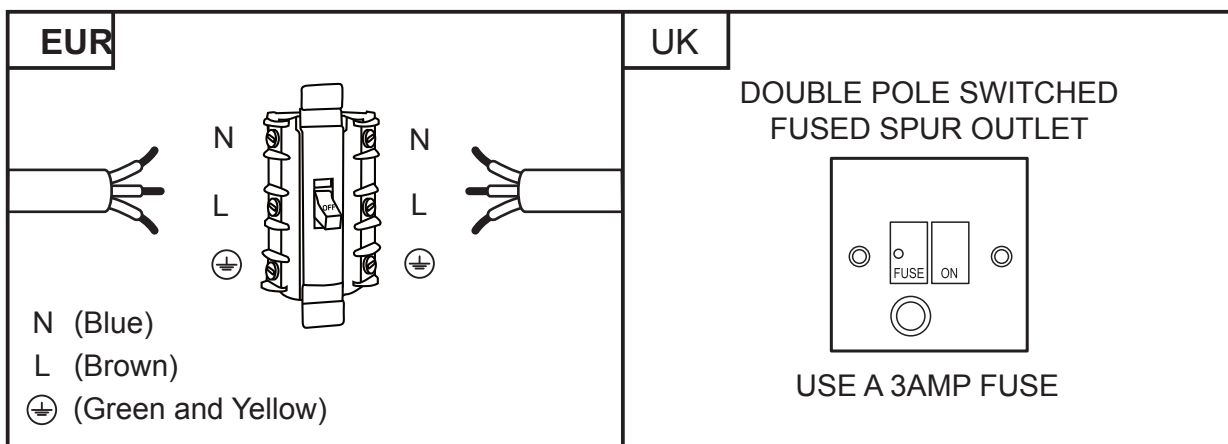
## Direct Connection

The appliance must be connected directly to the mains using an omnipolar circuit breaker with a minimum opening of 3mm between the contacts. The installer must ensure that the correct electrical connection has been made and that it complies with the wiring diagram. The cable must not be bent or compressed.

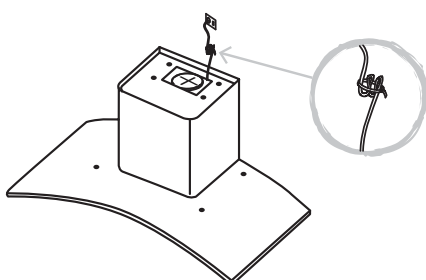
Regularly check the power plug and power cord for damage. If the supply cord is damaged, it must be replaced by a special cord or assembly available from the manufacturer or its service agent.

**WARNING:** This is a Class I appliance and **MUST** be earthed. This appliance is supplied with a 3 core mains cable coloured as follows:

Brown = L or Live  
 Blue = N or Neutral  
 Green and Yellow = E or Earth 



To avoid the risks that are always present when you use an electrical appliance it is important that this appliance is installed correctly and that you read the safety instructions carefully to avoid misuse and hazards. Please keep this instruction booklet for future reference and pass it on to any future owners. After unpacking the appliance please check that it is not damaged. If in doubt, do not use the appliance but contact Customer Services - see end of Care & maintenance section for details.



Once the electrical connection point and routing of the mains cable is established ensure that any excess cable is secured in such a way to prevent it falling into the motor housing and damaging the appliance.

# Use

## Before you start









**WARNING:** Read the instructions before using the appliance.

Switch on the appliance at the switched fused connection unit. The appliance is ready for use.


## Function & Settings

### Four-button panel



To obtain the best results from your cooker hood it is recommended that you leave it switched on for up to 15 minutes after you have finished cooking








	
	Light On/Off
	Fan On/Off and Speed Reduction
	LED Display
	Boost Function and Speed Increase
	Timer


### To Set Up For First Use

Ducted Option  This is the factory default setting if you are extracting air to the outside.

Recirculation Option  This is the option to be used with carbon filters

To change to this option, press both Speed icons   together and the Timer will flash red.

Press the Speed Increase  to change to the Recirculation Option  and the Speed Reduction  to revert back to the Ducted Option . Finally, press both Speed icons   together one more time to confirm the change and the Timer  will stop flashing

 NOTE: This operation must be undertaken within two minutes of switching the power on at the mains outlet. To change this setting at a later time, switch off the power at the mains outlet, wait a few seconds, turn on the power and repeat the above.

## General Use

### Light On/Off

Use this control to switch the light on independently of the fan motor, it will be lit red in this mode.

When the fan is in use, and the light is off, the icon will be lit white in this mode, but will turn red if the light is then switched on.

### Fan On/Off and Speed Reduction

Press this icon once to turn on the fan motor at speed 1. All icons will be lit white and the light icon will be red if already in use.

If the motor is on speed 1, pressing and holding this icon for two seconds will turn off the fan motor. As above, the light control is independent of this operation. If the motor is higher than speed 1, this will reduce the fan speed with each press of the icon.

### LED Display


Shows the extraction mode during set up  or  and the motor speeds from 1-5, and P for Boost.

### Boost Function and Speed Increase

Press this icon once to turn on the fan motor at full power, and P will flash in the display.

If the motor is already on speed 1-5, each press of this icon will increase the fan speed accordingly.

If you press and hold the icon for two seconds, the fan speed will increase to full power and P will flash in the display.




 NOTE: Full power or Boost only operates for five minutes maximum to conserve energy and the fan speed will automatically drop to speed level 5 after this time.

### Timer

When the fan motor is on and the Timer  icon is pressed, the icon will be lit red and the current speed in the display will start to flash.


The chosen speed level will remain in use for five minutes before dropping down to the next lowest speed. This speed will remain in operation for two minutes before dropping down again. This will be repeated every two minutes unless the speed is already at level 1 and then the fan will turn off. If the light is already on, this will also be turned off.

## Use

Pressing the Speed Reduction  or Speed Increase  icon during a current timer program will restart the countdown process again with a five minute cycle. If the Timer  icon is pressed again during a current timer program, the cycle will be cancelled, the icon will revert to white and the current fan speed will remain on indefinitely.

The maximum timer program cycle is 15 minutes: 5 minutes on P and then 2 minutes each on speed 5 down to speed 1.

### Controlling the cooker hood remotely



 **IMPORTANT:** This section is only applicable if you have purchased the optional Cooker Hood Model: ICONCG60RF

#### Before First Use






This cooker hood model ICONCG60RF and the ceramic hob model ICONCER60RF must be paired by radio frequency before remote control can occur. This only needs to be done once.


When connected the power output of the ceramic hob will control the extraction rate of the cooker hood.

#### To Set Up Connectivity

1. Make sure that the hob and the hood are switched off.
2. Press the Timer icon  and Light icon  together on the control panel. The LED display will alternately flash red and white.





3. Turn on the hob and make sure the connectivity indicator is lit red.  Note: Simultaneously press the "-" key and the "+" key on the hob if it is not lit.
4. Press the keys  and  together on the hob and the connection indicator will flash to confirm connection.
5. The control panel of the hood will show A for five seconds to indicate connectivity has been made with the hob.
6. Press the keys  and  together on the hob one more time to store the connectivity settings.

 **IMPORTANT:** The connectivity operation above must be completed within two minutes of turning on the power to the hood. If this is not successful, switch off both the hood and the hob, wait for one minute and attempt the connectivity again.

## Using the connectivity function

1. Ensure the connectivity indicator is lit on the hob control panel.
2. The extraction rate of the hood will vary based upon the total power output selected on the hob, as shown in the table. Each hob cooking zone has a maximum rated output of 10 comprising 1-9.

Speed Level of the Hood	Combined Power Output of the Hob
Speed 1	This speed will be selected when there are no more than two cooking zones in use, and the combined output is 8 or less. For example, zone 1 is on 2, and zone 2 is on 5
Speed 3	This speed will be selected when there are no more than three cooking zones in use, and the combined output is between 9 and 24. For example, zone 1 is on 7, zone 2 is on 6 and zone 3 is on 9.
Speed 5	This speed will be selected when all four cooking zones are in use, and the combined output is between 25 and 35. For example, zone 1 is on 7, zone 2 is on 7, zone 3 is on 9 and zone 4 is on 9.
Speed P	This speed will be selected when all four cooking zones are in use, and the combined output is greater than 35. For example, zone 1 is on 9, zone 2 is on 9, zone 3 is on 9 and zone 4 is on 9.

Note: Speed 2 and Speed 4 on the hood are not available when using this function. If the hood controls are manually overridden when the hob and hood are linked, the will operate for five minutes on this manual setting before returning to control by the hob. To reconnect the hood and hob immediately, press the Timer  and Light  together

## Stopping the connectivity function

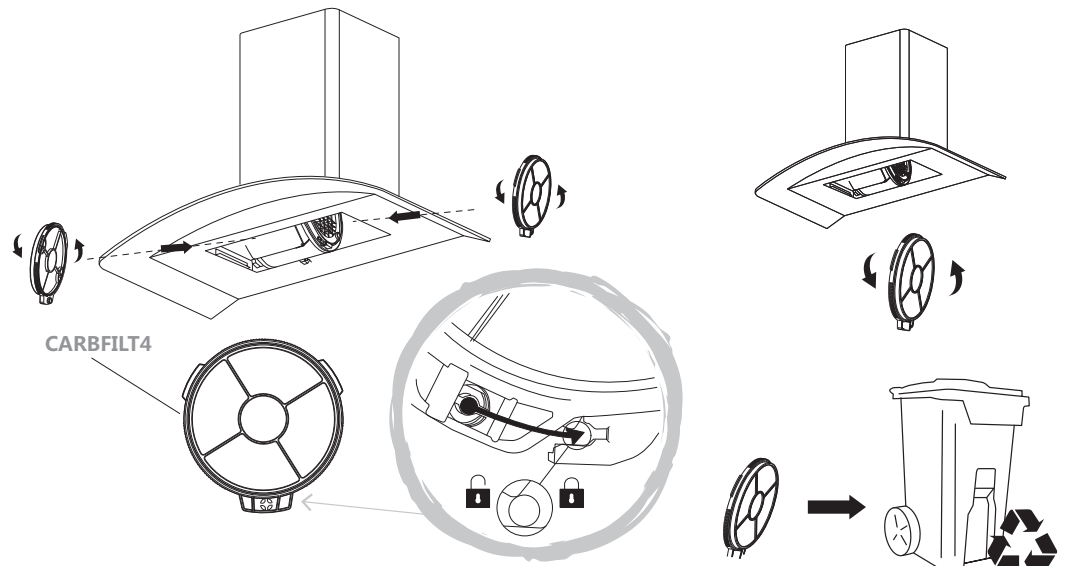
1. Simultaneously press the "-" key and the "+" key on the hob, the indicator light will go out and the link will be dropped. To reconnect again, press the connectivity key on the hob again.
2. If the hob is switched off, the hood will continue to operate independently in timer mode and the current speed will flash. The current speed level of the hood will continue for 5 minutes and step down for 2 minutes at each level until finally switching off.

### Carbon filter replacement



Replace carbon filters every three month




MONTHS



2x Carbon filter, model number CARBFILT4, available via the customer helpline - see end of Care & maintenance section for details.

If the motor is off, and after the fan has been in operation for approximately 150 hours, the display will show  and the Timer will flash red to advise you to replace the carbon filters. After replacing the filters, reset the alert by pressing the Timer  icon.

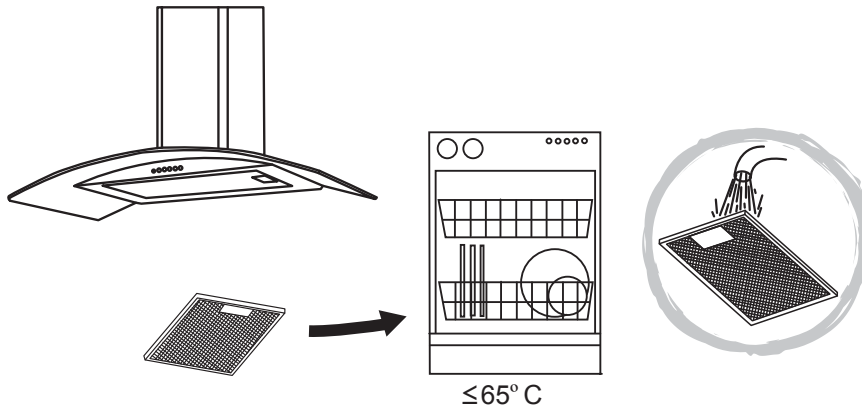
 **WARNING:** Always switch off the electrical supply before carrying out maintenance work on the hood. In the event of a fault, contact customer services.



### Aluminium grease filter cleaning

**Aluminium filters:** To avoid fires, clean thoroughly once a month. To do so, remove the filters and soak in hot water and detergent for an hour. If using a dishwasher, position the filters vertically to improve the cleaning process.



## 1 MONTH



If the motor is off, and after the fan has been in operation for approximately 50 hours, the display will show  and the Timer will flash red to advise you to clean the aluminium grease filters. After cleaning the filters, reset the alert by pressing the Timer icon .

**WARNING:** Increase the filter cleaning/replacement frequency if the hood is used for more than 2 hours a day. Always use genuine filters from the manufacturer.

### Lamp replacement

The LED lamps in this appliance are not replaceable by the consumer. If a lamp fails, please contact the customer helpline at the end of Care & maintenance to arrange an engineer visit.

This appliance must be installed correctly by a qualified person, strictly following the manufacturer's instructions.

**Warning:** Danger of electric shock! The power supply must be cut off before the appliance is installed completely.

Only a qualified person in compliance with the instructions provided can install the appliance. The manufacturer declines all responsibility for improper installation, which may harm persons and animals and cause damage.

Check the package and make sure you have all of the parts listed.

Decide on the appropriate location for your product.

This product contains glass, please take care fitting or handling to prevent personal injury or damage to the product.

**Important:** If the room contains a fuel burning appliance, such as a gas, or oil fired, central heating boiler, which is not of the 'Balanced Flue' type, you should make sure that there is adequate air inlet into the room at all times so that fumes from the boiler are not drawn back into the room by the Cooker Hood.

## Care&Maintenance

The specifications plate is available on this appliance. This plate displays all the necessary identification information for ordering replacement parts. If you sell the appliance, give it away, or leave it behind when you move house, make sure you also pass on this manual so that the new owner can become familiar with the appliance and its safety warnings.