



Larder Fridge Built-Under:BI50FFCL

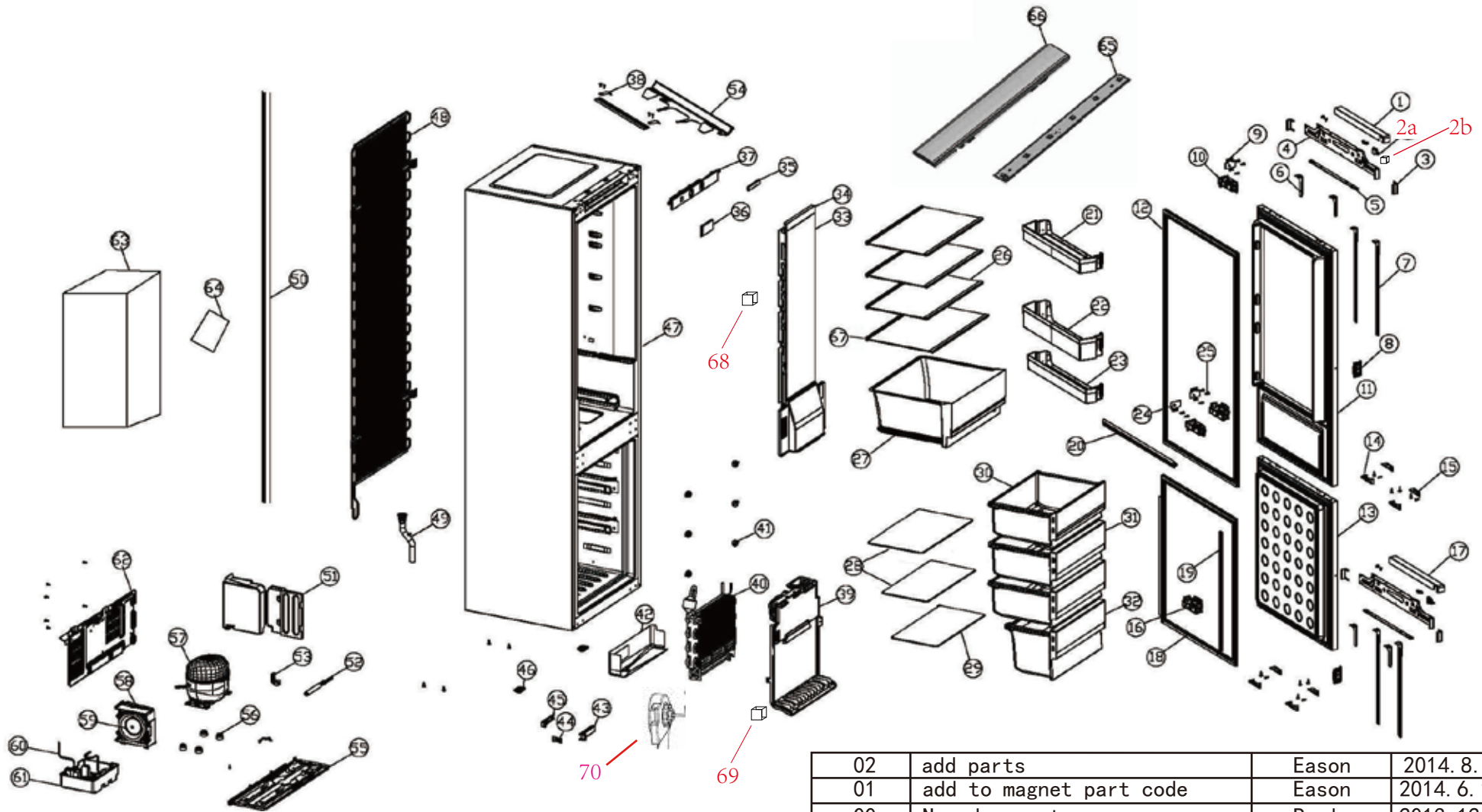
**B&Q Code CLBC-50**

Version:03

Date:2016-02-22

Product reference code :29398300

# BI50FFCL Exploded drawing



02	add parts	Eason	2014. 8. 21
01	add to magnet part code	Eason	2014. 6. 11
00	New document	Paul	2013. 12. 11
Index	Modify description	Modified by	Date

# BI50FFCL parts list

No.	Part code	Part description	Model	Qty
1	0060222453	refrigerate door cover	BI50FFCL	1
2a	0060222452	SEALING BOX	BI50FFCL	1
2b	0060301585	Magnet	BI50FFCL	1
3	0060210202	cover	BI50FFCL	4
4	0060817710	cabinet connection part	BI50FFCL	2
5	0060814178	connection part	BI50FFCL	2
6	0060210294	cover connection part	BI50FFCL	4
7	0060210200	ruler	BI50FFCL	4
8	0060223016	gasket stopper	BI50FFCL	2
9	0060210292	hinge mat-upper	BI50FFCL	2
10	0060812438	hinge-upper	BI50FFCL	2
11	0060833160	refrigerate door	BI50FFCL	1
12	0060831467	refrigerate gasket	BI50FFCL	1
13	0060833161	freezer door	BI50FFCL	1
14	0060210289	door cover	BI50FFCL	4
15	0060106782	door connection part	BI50FFCL	4
16	0060812439	hinge-bottom	BI50FFCL	2
17	0060222453A	freezer door cover	BI50FFCL	1
18	0060831468	freezer gasket	BI50FFCL	1
19	0060222834	WIND STOP STRIP(left/right)	BI50FFCL	2
20	0060222835	WIND STOP STRIP (Bottom)	BI50FFCL	1
21	0060832875	upper bottle base	BI50FFCL	1
22	0060831995	middle bottle base	BI50FFCL	1
23	0060831999	bottom bottle base	BI50FFCL	1
24	0060212285	hinge mat-bottom	BI50FFCL	2
25	0064084404	screw	BI50FFCL	8
26	0060831994	shelf	BI50FFCL	3
27	0060832873A	Vegetable box	BI50FFCL	1
28	0060303089	freezer longer glasses	BI50FFCL	2
29	0060303089A	freezer glasses	BI50FFCL	1
30	0060831936C	freezer drawer-up	BI50FFCL	1
31	0060830886C	freezer drawer-middle	BI50FFCL	2
32	0060831938	freezer drawer-bottom	BI50FFCL	1
33	0060831989	AIR DUCT COVER ASSY REF	BI50FFCL	1
34	0060222910	WIRE CONNECTORS	BI50FFCL	1
35	0060223015	little cover	BI50FFCL	1
36	0060222516	large cover	BI50FFCL	1
37	0060832807R	display part ass.	BI50FFCL	1
38	0060113353	cabinet upper fixing part	BI50FFCL	2
39	0060831988	FRZ AIR DUCT ASSY>	BI50FFCL	1
40	0060704332	freezer evaporator	BI50FFCL	1
41	0064098005	screw	BI50FFCL	6
42	0060112808	aluminium pan	BI50FFCL	1
43	0060222991	cabinet bottom decorate part	BI50FFCL	2
44	0060222989	cabinet bottom stopper part	BI50FFCL	2
45	0060113352	cabinet bottom fixing part	BI50FFCL	2
46	0060222458	foot	BI50FFCL	2
47	0060833532	foamming body	BI50FFCL	1
48	0060704205	condenser	BI50FFCL	1
49	0060222476	drainpipe	BI50FFCL	1
50	0060831872	SEALING ASSY	BI50FFCL	2
51	0060832806	control pannel assemble	BI50FFCL	1
52	0060702807A	drier	BI50FFCL	1
53	00602160233	drier clipper	BI50FFCL	1
54	0060222992	decoration-upper	BI50FFCL	1
55	0060833183	COMPRESSOR BASE ASSY>	BI50FFCL	1
56	0067403142	compressor accessories	BI50FFCL	4
57	0060704248	compressor	BI50FFCL	1
58	0060222462	motor fan bracket	BI50FFCL	1
59	0064001311B	motor fan	BI50FFCL	1
60	0060704211	heater	BI50FFCL	1
61	0060222477	evaporation pan	BI50FFCL	1
62	0060832572	compressor cover	BI50FFCL	1
63	0060505994RR	packing carton	BI50FFCL	1
64	0060516631R	manual	BI50FFCL	1
65	0064001217	LED LIGHTS	BI50FFCL	1
66	0060222464	LAMPSHADE	BI50FFCL	1
67	0060831994B	GLASS SHELF	BI50FFCL	1
68	0060401766	refrigerate sensors	BI50FFCL	1
69	0060401425	freezer sensors	BI50FFCL	1
70	0064001039A	fan motor assy	BI50FFCL	1