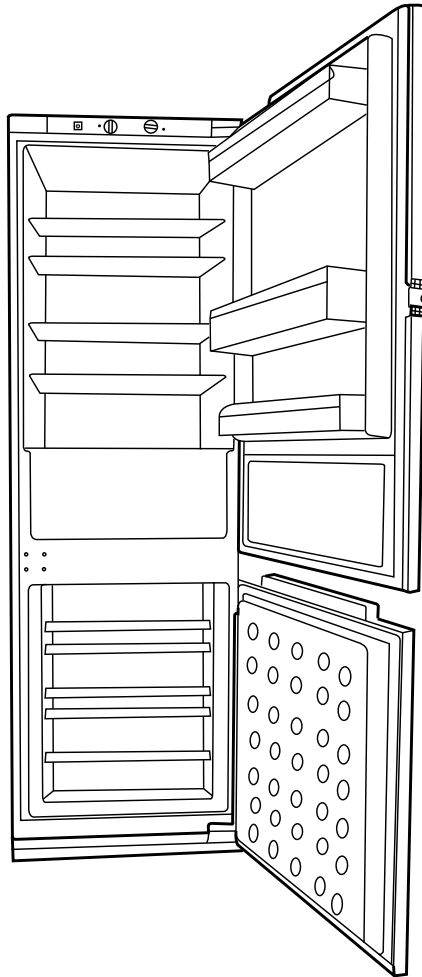


COOKE™ &LEWIS

Integrated Fridge Freezer



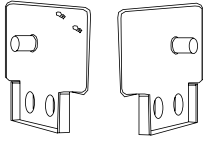
BI50FFCL-BI70FFCL - Version: 01



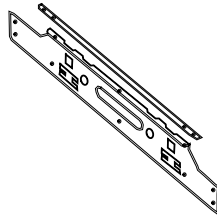
Integrated Fridge Freezer - Barcode: 5052931258512, 5052931258529



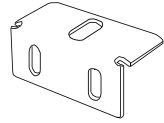
WARNING: Read the instructions before using the appliance.



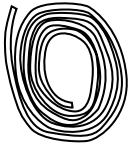
[01] x 2



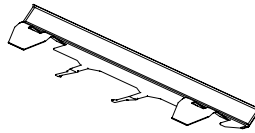
[02] x 2
(pre-fitted on appliance)



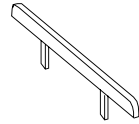
[03] x 4



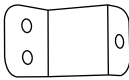
[04] x 2



[05] x 1



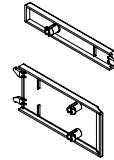
[06] x 2
(pre-fitted on appliance)



[07] x 2



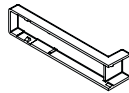
[08] x 4
(pre-fitted on appliance)



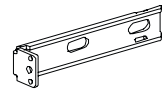
[09] x 1
(pre-fitted on appliance)



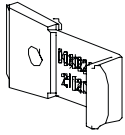
[10] x 4



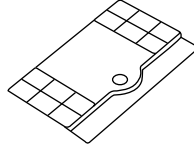
[11] x 1



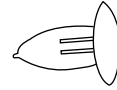
[12] x 1



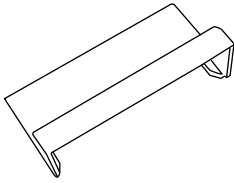
[13] x 1



[14] x 2
(pre-fitted on appliance)

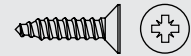


[15] x 8

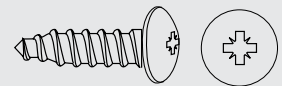


[16] x 4

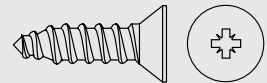
1 : 1



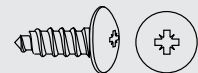
[17] x 40 (3 x 12mm)
(5 for spare use)



[18] x 4 (5 x 16mm)



[19] x 2 (5 x 15mm)






[20] x 4 (4 x 10mm)

BI50FFCL-BI70FFCL Integrated Fridge Freezer

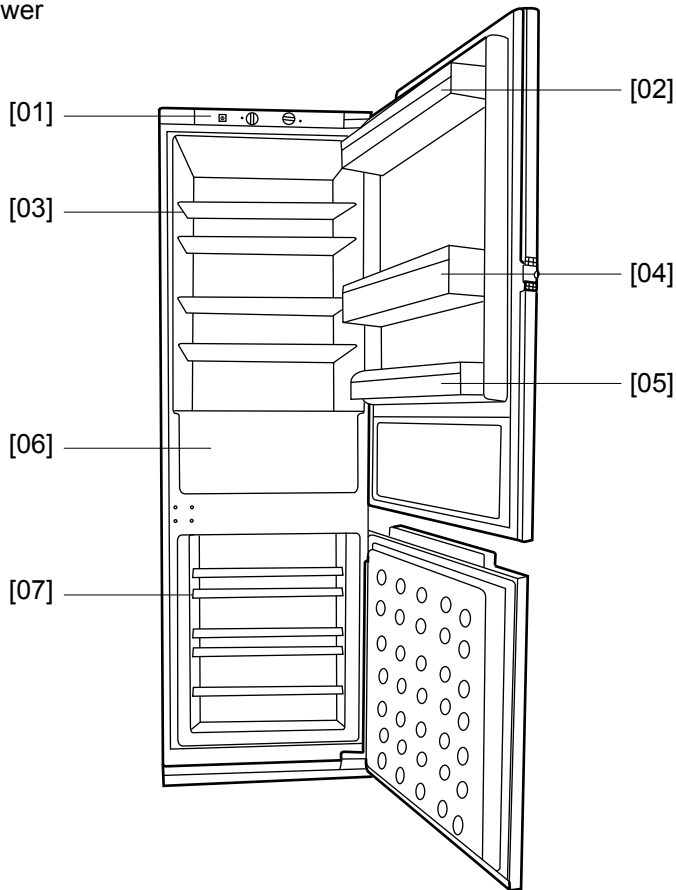
Let's get started...

These instructions are for your safety. Please read through them thoroughly before use and retain them for future reference.

	Getting started...	05
	Your product	05
	Before you start	06
	Safety	07
	In more detail...	12
	Operation	12
	Care and maintenance	18
	Troubleshooting	21
	Technical and legal information	23
	Recycling and disposal	23
	Guarantee	24
	CE Declaration of Conformity	26
	Appendix...	
	Installation	27

Your product

01. Main control panel
02. Upper bottle seat
03. Shelf
04. Middle bottle seat
05. Lower bottle seat
06. Crisper
07. Drawer



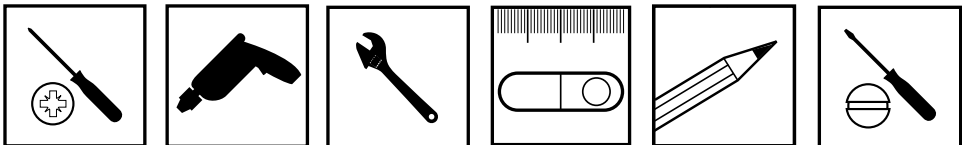
Installation guide
located at the end of
the guidebook

Before you start

Things to check before you start

- To avoid the risks that are always present when you use an electrical appliance it is important that this appliance is installed correctly and that you read the safety instructions carefully to avoid misuse and hazards. Please keep this instruction booklet for future reference and pass it on to any future owners. After unpacking the appliance please check that it is not damaged. If in doubt, do not use the appliance but contact Customer Services on 0844 800 1128 (UK) and 01 4475261 (Ireland).
- Check the package and make sure you have all of the parts listed.
- Remove all packing material. This includes the foam base and all adhesive tapes holding the refrigerator accessories inside and outside.
- Decide on the appropriate location for your product.
- If this product contains glass please take care when fitting or handling to prevent personal injury or damage to the product.
- The specifications plate is available on this appliance. This plate displays all the necessary identification information for ordering replacement parts.
- If you sell the appliance, give it away, or leave it behind when you move house, make sure you also pass on this manual so that the new owner can become familiar with the appliance and its safety warnings.
- Clean the refrigerator before use (refer to Care and Maintenance section).
- After levelling and cleaning the refrigerator, leave the refrigerator stand for 30 minutes or above before power it on, and then power it on in order to ensure its normal operation.

You will need



These instructions are for your safety. Please read through them thoroughly prior to installation and retain them for future reference.



- All installation work must be carried out by a competent person or qualified electrician.
 - This appliance must be installed correctly by a suitably qualified person, strictly following the manufacturer's instructions.
- Connect the product to a suitable electrical outlet (220V~, 50Hz). Various failures or faults such as failure in startup, burnout of temperature controller or compressor, abnormal operating sound of compressor may be caused, in case of larger voltage fluctuation range (exceeding 187-242V~), and in such case, a 750W or above automatic voltage regulator must be installed.
- A separate, special power socket is mandatory and reliable grounding is required. Power cord of the refrigerator is provided with a three-pin (grounding) plug, conforming to the standard three-pin (grounding) plug. In no event, the third pin (grounding) of the power cord shall be cut or removed. If the refrigerator is arranged in place, the plug shall be touchable for use. **Warning!** The plug of power cord shall be securely connected with the socket; otherwise, a fire may occur.

- ☑ Do not damage the power cord
 - Never unplug the refrigerator by pulling on the power cord; Always grasp the plug firmly and pull straight out from the socket;
 - Do not place the refrigerator on the power cord or tramp on the power cord;
 - Move the refrigerator away from the wall with care; do not roll on or damage the power cord.
- ☑ Regularly check the power plug and power cord for damage. If the supply cord is damaged, it must be replaced by a special cord or assembly available from the manufacturer or its service agent.
- ☑ In the event of a mains gas leak,
 - Isolate the gas supply at the main isolation valve;
 - Open the door and window;
 - Do not plug or unplug the refrigerator and other appliances.
- ☑ Unplug your refrigerator under any of the following circumstances:
 - Unplug your refrigerator before cleaning or making any repair.
 - Unplug your refrigerator before replacing damaged bulb in order to protect from an electric shock.

- ✓ It is prohibited to put inflammable, explosive, hazardous materials, and high-corrosion acid, alkali, etc. into the refrigerator.
- ✓ This product is household refrigerator. According to national standard, household refrigerator is only applicable to storage of food, and can not be used to store blood, medicine, biological products or for other purposes.
- ✓ Do not store or use gasoline or other inflammable articles around the refrigerator in order to avoid a fire hazard.
- ✓ After your refrigerator is in operation, do not touch the cold surfaces in the freezer compartment, particularly when hands are damp or wet. Otherwise, skin may adhere to these extremely cold surfaces.
- ✓ Do not put bottle beer, drinks, etc. into the freezer in order to prevent from cracking.
- ✓ Do not place unstable articles (e.g. heavy objects, vessels containing water) on the top of the refrigerator. So such items could fall and injure people or could overflow and spill on to electrical components and cause an electrical shock.
- ✓ It is prohibited to privately dismantle or alter the refrigerator and also to tamper with the refrigerating pipeline. Refrigerator maintenance and servicing must be performed by qualified refrigeration technicians.

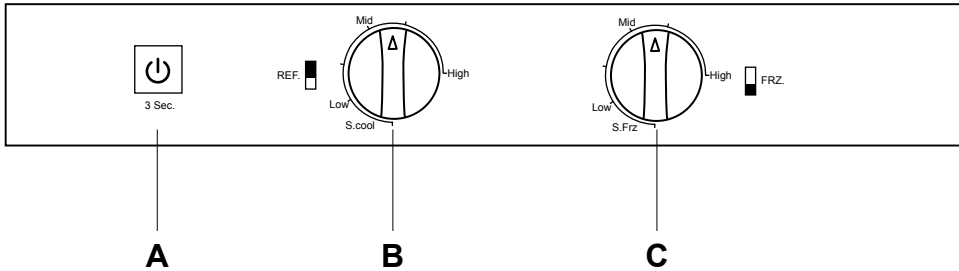
Safety

- ✓ Do not use water to wash your refrigerator, or install it in a damp place, in order to avoid affecting electrical insulation properties of the refrigerator.
- ✓ Unplug your refrigerator in the event of a power failure or before cleaning. Wait at least five minutes before reconnecting the power, in order to avoid damage to the compressor.
- ✓ Do not play with the cabinet door in order to avoid personal injury.
- ✓ Do not install any electrical appliance above the refrigerator. Doing so could cause electromagnetic interference that could affect the performance of the refrigerator.
- ✓ Do not store explosive substances such as aerosol cans with a flammable propellant in this appliance.
- ✓ If your old refrigerator is not being used, we recommend that you remove the doors and door gaskets. This will reduce the possibility of danger to children.
- ✓ The refrigerator should be installed away from heat sources and from direct sunlight, in order to avoid affecting working performance of the refrigerator.

- ☑ This refrigerator should be installed in an enclosed cabinet. Refer to overall dimensions of the product as indicated in the Instructions for the specifications of the cabinet.
- ☑ Do not expose the refrigerator into a cold or frozen environment, open air or rain.
- ☑ This appliance can be used by children aged from 8 years and above and persons with reduced physical, sensory or mental capabilities or lack of experience and knowledge if they have been given supervision or instruction concerning use of the appliance in a safe way and understand the hazards involved. Children shall not play with the appliance. Cleaning and user maintenance shall not be made by children without supervision.
- ☑ This appliance is not intended for use by persons (including children) with reduced physical, sensory or mental capabilities, or lack of experience and knowledge, unless they have been given supervision or instruction concerning use of the appliance by a person responsible for their safety.
- ☑ Children should be supervised to ensure that they do not play with the appliance.

After delivery, wait for eight hours before connecting the appliance to your mains supply. This will allow any refrigerant gasses that may have been disturbed during the transportation process to settle.



Control panel



- A** - Power switch: switches the power supply to the refrigerator on or off.
- B** - Refrigerator temperature adjustment: adjusts the temperature in the refrigerator and sets the quick cooling function.
- C** - Freezer temperature adjustment: adjust the temperature in the freezer and sets the quick freezing function.

Adjustments

Power switch

- Push "Power Switch"  button for 3 seconds, and the refrigerator will start operation. Press the "Power Switch"  button again for 3 seconds, the refrigerator will be switched off.

Temperature adjustment of the refrigerator chamber

- Turn refrigerator adjustment dial to "Low", "Medium" or "High".

Temperature adjustment of the freezer

- Turn freezing adjustment dial to "Low", "Medium" or "High".

Quick cooling function arrangement

- To select "Quick Cooling" function rotate dial in anti-clockwise direction.

Quick freezing function arrangement

- To select "Quick Freezing" function rotate dial in anti-clockwise direction.

Remark: Alarm will be on if the refrigerator door is not closed for long time.

Adjustments

Door open alarm

- If the refrigerator door has been open for over 60 seconds, the alarm will emit 3 beeps at an interval of 0.5s. This will repeat every 30 seconds until the refrigerator door is closed.

Switching on/off

1. Switch the appliance on using the "Power Switch".

**Note!**

Never put too much food in the freezer. In the refrigerator, it's suggested not to cross the load line in the crisper drawer.

**Note!**

The total weight of the food stored on each shelf of the refrigerator chamber shall not exceed 10kg.

Operation of refrigerator

- It takes the refrigerator several hours to reach temperature after it is been switched on for the first time.
- Food can be put into the refrigeration chamber after approximately 2-3 hours.
- Food should not be put into the freezer chamber until the appliance has been switched on for 24 hours.
- Let the refrigerator stabilize for 24 hours after food has been placed inside the refrigerator chamber. Afterwards, the temperature can be changed.
- The temperature of the refrigerator and freezer chambers is factory preset to 5°C and -18°C respectively.

**Caution!**

It takes time for the temperature in the refrigerator to balance in the event of changes in temperature. The duration depends upon the ambient temperature, door opening frequency and the quantity of food stored in the refrigerator.

Refrigerator chamber



Warning!

Do not use electrical appliances inside the food storage compartments of the appliance, unless they are of the type recommended by the manufacturer.



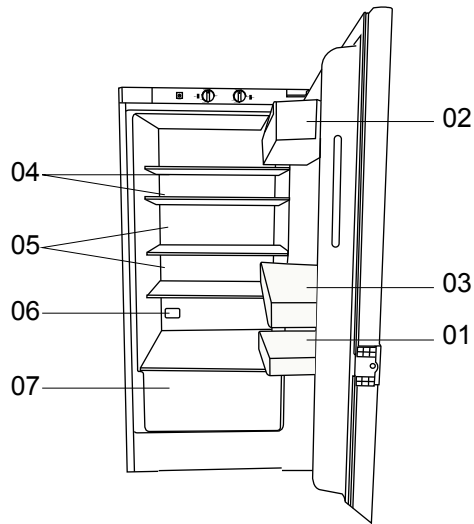
Note!

The refrigeration chamber is designed to operate at a temperature between 2-7°C. Therefore, the refrigeration chamber can only be used for short term food storage

Storage areas suggested for various food

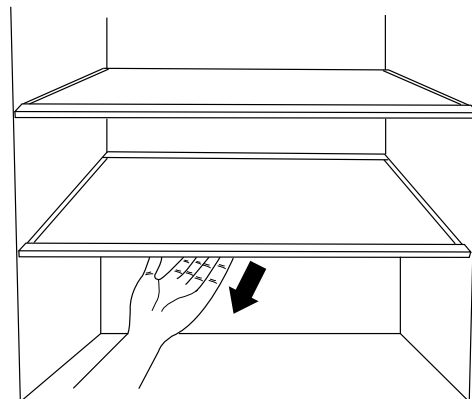
The temperature of different areas of the refrigeration chamber varies due to cool air circulation. Area 06 is the coolest area in the refrigeration chamber. Therefore, different types of food should be stored in different areas.

- 01 Eggs, butter, etc.;
- 02 Cans, seasonings, etc.
- 03 Drinks, various bottled food, etc.;
- 04 Pickling food, cans, etc.;
- 05 Cooked wheaten food, cans, milk, etc.;
- 06 Cooked meat, sausage, etc.;
- 07 Fruits, vegetables, salad, etc.



Use of the shelf

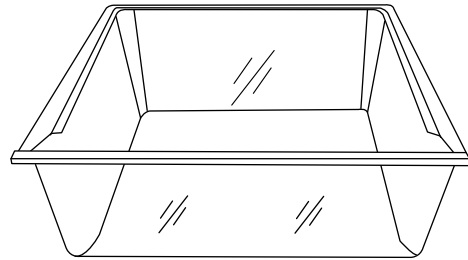
- The shelves can be installed at different heights according to the size and height of the food.
- When taking out a shelf, please pull it out by holding its front edge as shown in the diagram.



Refrigerator chamber

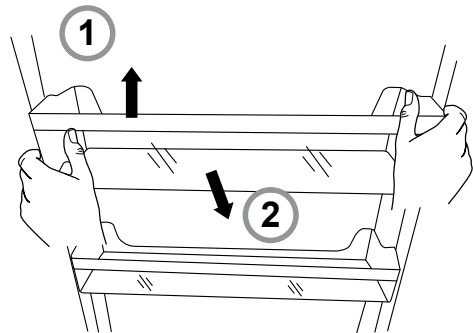
Use of the crisper drawer

- Fruits and vegetables should be stored in the crisper drawer. Fruit and vegetables stored under normal refrigerator chamber environment will lose its moisture quite soon in the dry cold air. That is to say, the epidermis of fruits and vegetables will become wrinkled, and the taste will go bad. Fruits and vegetables can maintain more moisture by controlling the humidity of the crisper drawer and making the air wet. Therefore, the quality of fruits and vegetables can be maintained for a long time, making them much fresher and healthier.



Use of bottle seat

- The bottle seat located in the door can be moved as per food storage requirements. The bottle seat can be taken out by lifting it up (1), then pulling it towards you (2).
- When installing the bottle seat, please install it at the required bottle seat fixing position within the refrigerator door, and then push it into place.



Caution!

The refrigerator can work for several years without maintenance and inspection.



However, in the event of a fault arising please contact Customer Services on 0844 800 1128 (UK) and 01 4475261 (Ireland). All repairs and maintenance must be conducted by the manufacturers authorised service engineers.

Precautions for refrigerating food

- Hot food should be allowed to cool to ambient temperature before being placed into the refrigerator.
- Wipe any moisture droplets from food prior to storing in the refrigerator..
- Food should be sealed before putting it into the refrigerator. Sealing the food prevents it drying out and odours being transferred to other food stuff (odour tainting).
- Store food separately as per their types. Food consumed frequently can be put at the front of the shelf, as can food with shortest shelf life. This is helpful to prevent the occurrence of out-of-date food.



Caution!

The inner liner will become stained/soiled if food stuffs (oils especially) are stored in contact with it for a long time. Therefore, please avoid direct contact between food and the inner liner. If oils do come into contact with the inner liner, please clean it off immediately.

Proper use of the refrigeration chamber

- Store eggs in the egg tray supplied to prolong the storage period.
- Thaw frozen food in the refrigeration chamber. This helps to reduce the temperature in the chamber and results in lower running costs.
- Some foods such as onions, garlic, ginger, potatoes, etc can be stored for a long time at normal room temperatures, so there is no need to put them into the refrigeration chamber.
- Food stuffs such as melon, pawpaw, banana, pineapple; etc should not be stored in the refrigeration chamber. Green fruits can be put in the refrigeration chamber for storage.



Caution!

When the ambient temperature is 0 – 10°C in winter, the refrigerator chamber temperature is low and the temperature of lower part of refrigerator chamber is about 0°C, while vegetables, fruit, etc. shall be put into the upper part of refrigerator chamber to avoid frost damage.

Precautions for refrigerating food

The freezer is used to store food for a long time

- The freezer compartment achieves low temperatures and can keep food in fresh state for a long time. You must adhere to the storage instruction indicated on the food packaging.
- The table below gives an indication of the period that foods can be stored in the freezer compartment:

Food varieties	Freshness period (month)	Max storage period (month)
Chicken, beef, lamb, shrimps	4	9
Dumpling, frozen stuffed-bun, steak, ice cream bar	4	6
Cake, bread, meat slice, cheese	2	6
Crabs, seafood, sausage, ice cream	1	3

Refer to the freezing instructions on the manufacturers packaging. Specific storage time depends on the food quality, preprocessing before refrigeration and different food quality requirements of individuals.



Note!

Do not exceed the freezing capacity of the refrigerator.

Do not put too many fresh foods into the freezer at one time. Do not exceed the freezing capacity of refrigerator (as indicated on the data plate).

- Cool hot food to room temperature before putting it into the freezer.
- Divide food into small lots. Food will freeze and thaw more quickly thus ensuring better quality; it's recommended that each lot shall not exceed 2.5kg.

Precautions for refrigerating food

- Pack the food and keep the exterior surface of package dry prior to freezing. This will prevent packaging from sticking together. Packaging material shall be free from odour, air leakage, water permeation, non-poisonous and non-contaminating to prevent tainting of other food and decreasing its quality.
- Mark the freezing date, period and type of food on the packaging. This helps to store food according to guidelines.
- In principle, take out the food from the freezer to thaw. **DO NOT** refreeze food that has been thawed. Thawed foods that has been processed into a cooked finished dish can be frozen once it has cooled.

Operation Care and maintenance

Tips for energy conservation

Many simple and feasible methods can be used for energy conservation.

During the installation

Please install the refrigerator in the room where the temperature is the lowest. If it is placed in direct sunlight or next to an oven or other heat source, the energy consumption can increase substantially.

Make sure the refrigerator is well ventilated as per the Installation Instructions.

During use

- Avoid putting too much food in the refrigerator to ensure adequate air circulation.
- Please don't use anything (for example, aluminium foil, wax paper, or facial tissue) on the shelves as pads; otherwise, air circulation will be affected.
- Avoid putting too much warm food in at any one time. Ensure food stuffs do not block air inlet/outlet vents in the refrigerator.
- The cooling efficiency of the refrigerator will reach its peak when two thirds of the refrigerator is full.
- Only open the door for short periods when loading or rearranging food in the refrigerator.

Cleaning

Before putting food into the refrigerator

- Please remove all the packing materials.
- Clean the internal refrigerator with warm water with cleanser essences to remove dust left during the manufacture and transportation.
- There is peculiar smell in the refrigerator at the very beginning. However, the smell will disappear automatically when the temperature of the refrigerator is low enough.
- Let the refrigerator run without load for 2-3 hours to make sure each chamber is cooled to a proper temperature.

Since residual food in the refrigerator produces bad odor, the refrigerator must be regularly cleaned.

- For safety, unplug the appliance from the power supply before cleaning.
- Dip soft towel or sponge in warm water (neutral detergent can be added) to clean refrigerator.



Warning!

Do not use mechanical devices or other means to accelerate the defrosting process, other than those recommended by the manufacturer.



Prohibition!

Do not clean refrigerator with scrubbing brush, wire brush, abrasive powder, gasoline, lacquer thinner, acetone and other organic solvents, boiling water, acid, alkali, etc.

Cleaning

- Dry the inside of the refrigerator with dry cloth.



Warning!

Do not clean by spraying water onto the appliance to prevent impact on electrical insulation.

Use a dry rag to clean control panel, internal lamp and other electrical components.

- Always pay attention to keeping door seals clean as they get dirty easily.

Power cuts

Treatment in case of a power cut

Food can be stored for several hours, even in summer, during a power cut.

- Do not put in more food or open the refrigerator doors during a power cut.
- If a power cut is known in advance, prepare ice in watertight containers. Put the ice into the upper part of refrigerator chambers to preserve the temperature.



Caution!

Freezer temperature rise resulting from power cut or other fault may shorten the storage period and edible quality of food.

Extended loss of power

- In case of an extended power loss, unplug the appliance and clean the refrigerator according to the cleaning section.
- During the power loss period, keep the refrigerator door open to prevent a build up of bad bacteria and bad odours.



Caution!

Generally, power loss does not impact on the service life of refrigerator.



Caution!

When power is restored, wait five minutes before plugging the refrigerator back in.

In case of being on holiday

- If on a short holiday, take out the food that easily spoils, **DO NOT** adjust the temperature switch position, make sure the refrigerator doors are closed.
- In case of being on a long holiday and turning the power off at home, remove all food, clean the interior after frost thaws; keep the refrigerator doors open after drying to prevent a build up of bad bacteria and bad odours.

Relocating appliance

During relocation

- Press the power button for 3 seconds to cut off power, unplug the power plug from the wall socket.
- Remove all food from the refrigerator.
- Fix the drawers, shelves, crisper and other moving components with tape.
- Close the refrigerator door tightly and fix with tape to prevent opening during transit.
- The maximum inclination during relocating the refrigerator should not exceed 45° (the included angle with vertical direction) to prevent refrigeration system fault and impact on normal use.



Prohibition!

Never lay down the refrigerator.

Frequently asked questions

- When the refrigerator is working, the evaporator and pipes can make a cracking sound due to thermal expansion and contraction resulting from changes in temperature.
- It is normal that the compressor works for a long time when large quantities of food has been placed in the appliance or when the ambient temperature is high.
- When the refrigerator switches on or off, the electrical components such as the thermostat, starting relay and thermal protector will give out click sound. This is normal operation.
- Tiny drops of moisture can appear on the back of external surface of the refrigerator and can be dried with soft cloth.
- It is normal that the temperature of rear condenser is high due to heat dissipation.
- During start up (first use) the refrigerator will hum more loudly. This noise will decrease after short period of time.
- Vibration sound is related to location of the refrigerator. Slight vibration will result in much more noise if the appliance is not level. Level the refrigerator to reduce vibration sound.
- During first use the refrigerator operates for a long time. The temperature of refrigerator body and compressor is higher than normal.

Frequently asked questions



In case of high temperature ($\geq 32^{\circ}\text{C}$) and high humidity ($\geq 75\%$), The appliance will use an increased amount of energy and will run for longer periods of time. During such periods don't put large amounts of unchilled food in to the appliance. Reduce the number of times you open the door and leave the door open for the shortest possible time.

Troubleshooting

If the refrigerator does not operate properly, refer to the troubleshooting guide below. If the does not resolve the problem, contact Customer Services on 0844 800 1128 (UK) and 01 4475261 (Ireland) for help. For this, detailed information like specifications, description, accessories and serial number will be required (Refer to refrigerator nameplate for relevant information).

Check the following before calling customer services

- Is the refrigerator plugged in (including plug, socket, fuse, etc.); and is the power switch in the "off" position?
- Is supply voltage too low?

Refrigerator light does not work

- Is the bulb damaged?
- Check power supply.

Temperature in refrigerator is relatively high

- Temperature is set incorrectly.
- The door does not shut properly, or the door is opened frequently or for an expended period of time.
- The refrigerator is in direct sunlight or close to heating sources such as an oven or heating installation.
- Are the vents of the cupboard blocked resulting in bad ventilation.

Too much noise

- Is the base of the housing unit flat and level?
- Is the refrigerator located firmly on the base?

The refrigerator has an odour

- Ensure odorous food is sealed correctly.
- Check for rotten food.
- Interior cabinet needs cleaning.

Troubleshooting

Compressor runs too long

- This may be normal to reach temperature during first use.
- A lot of food has been placed into the refrigerator for cooling or freezing.
- Hot day.
- The refrigerator is opened frequently.
- The refrigerator does not shut properly.
- Adjust the temperature control.
- Bad ventilation.



Heavy frost on back-wall of the refrigerator chamber

- Temperature control is adjusted incorrectly.
- The door does not shut properly.
- The door is opened frequently.
- Hot day.
- High humidity.

This appliance is intended to be used in household and similar applications such as:

- Staff kitchen areas in shops, offices and other working environments;
- Farm houses and by clients in hotels, motels and other residential type environments;
- Bed and breakfast type environments;
- Catering and similar non-retail applications.

Technical specifications

	BI50FFCL	BI70FFCL
Star label		
Weather type	SN.N.ST.T	SN.N.ST.T
Shock-prevention protection class	Class I	Class I
Total effective volume	232L	241L
Effective volume of freezer	84L	62L
Power supply	220-240V ~/50Hz	220-240V ~/50Hz
Rated current	1A	1A
Total input power	120W	120W
Refrigerant	R600a 66g	R600a 64g
Freezing capacity (kg/24h)	10	10
Weight (kg)	68	69
Overall dimensions D×W×H (mm)	540x555x1770	540x555x1770
Connection mode of Power cable	Y	Y



Note!

Complies with national standards, the ambient temperature ranges from 16-43°C under type-T Weather.

Recycling and disposal

Environmental protection

Waste electrical products should not be disposed of with household waste. Please recycle where facilities exist. Check with your Local Authority or retailer for recycling advice.



The symbol on the product or its packaging indicates that this product cannot be treated as normal household waste. This product must be handed over to an electric and electronic equipment collection point for recycling.

On ensuring that this product is disposed of correctly, you will help to avoid possible negative consequences for the environment and public health, which could occur if this product is not handled correctly. To receive more detailed information about recycling this product, contact your local government, domestic waste disposal services or the outlet where the product was bought.

Guarantee

This appliance is covered by a full manufacturer's 24 month parts and labour guarantee and covers all parts and labour costs associated with the repair of the appliance in a domestic environment. We will repair any defect that arises due to faulty materials or workmanship and use genuine manufacturers parts.

All claims must be supported with the original receipt or other reasonable proof of purchase.

If, during the guarantee period, the appliance becomes irreparable as agreed by the engineer approved by GAA then we reserve the right, at our discretion, to exchange the defective product with a replacement appliance at GAA's sole cost. If the same product is no longer available an alternative will be offered with the same functions as the faulty item.

After an appliance has been repaired or replaced any remaining balance of the GAA guarantee will be valid and any further call outs during this prescribed period will be covered by GAA on the replacement appliance.

Should any person other than an authorized engineer modify or attempt to repair the appliance then the warranty will be invalid.

The guarantee applies to the UK mainland, Scotland, Ireland, ROI and France but is not transferable between EU countries.

This guarantee is non-transferable to any other person or product. The guarantee is covered by UK law and is in addition to and does not diminish your legal rights.

Exclusions to the guarantee

This guarantee does NOT cover:

Appliances that have been damaged or neglected as a result of failure to store, assemble, install, use or care of the products in accordance with the manufacturer's instructions - GAA will not accept responsibility under this guarantee if a product is damaged or becomes defective due to, misuse, neglect, wilful or accidental damage or act of god.

Normal wear and tear.

24 Consumable items such as carbon filters and bulbs.

Guarantee

Exclusions to the guarantee (continued)

Claims arising from non-domestic use or commercial environment.

Any gas appliance not fitted by a gas safe qualified installer.

If no fault is found then GAA reserves the right to charge for the call out at the going rate of £55.00 plus VAT.

In the course of the service work carried out it may be necessary to remove the built in appliance from its fitted position. If the appliance is glued, grouted or tiled in such a manner that it cannot be removed, it is the responsibility of the customer/installer to remove and reinstall the appliance to facilitate the repair.

This Guarantee does not affect your statutory rights.

The guarantee is offered by GAA Ltd, 1301-1303 Lu Plaza,
2 Wing Yip St, Kwun Tong, Kowloon, Hong Kong.

Customer Service

To arrange an in guarantee service call, please contact customer services on the following numbers.

UK & Northern Ireland

Phone: 0844 800 1128

Email: uksupport@apelson.co.uk

Web: www.myspareparts.co.uk

Republic of Ireland (Eire)

Phone: 014475261

Email: uksupport@apelson.co.uk

CE Declaration of Conformity

**MANUFACTURER: CATA****ADDRESS: C/ Ter nº 2, Torelló 08570 - Barcelona (Spain)**

We hereby certify that the mentioned accessory complies with the essential requirements of the European Directives applicable, including their modifications and the corresponding transpositions from the national law.

MACHINE APPLICATION: BI50FFCL-BI70FFCL**TYPE: Integrated Fridge Freezer****EC DIRECTIVES APPLIED: Comply with the European Directives 2006/95/CE: LVD and the 2004/108/CE: EMC****APPLIED HARMONIZED STANDARDS:**

Standard EN 60335-1 Safety of household and similar electrical appliances

APPLIED INTERNATIONAL TECHNICAL STANDARDS AND SPECIFICATIONS:**ISO9001.2008****PLACE: Torelló**

David Sala
Technical Manager

This appliance respects laws of the suppression of radiointerference. As the Manufacturer has a policy of continuous product improvement, it reserves the right to adapt and carry out any modification considered necessary without prior warning.

B&Q plc,
Chandlers Ford, Hants,
SO53 3LE United Kingdom
www.diy.com

**Warning:**

Before installation and usage read all the instructions and make sure that the voltage (V) and the frequency (Hz) indicated on the rating plate are exactly the same as the voltage and frequency in your home. The rating plate can be found on the front left edge of the inside of the refrigerator.

The manufacturer declines all responsibility in the event of the installer failing to observe all the accident prevention regulations in force, which are necessary for normal use and the regular operation of the electric system.

Electrical connection

**Note**

Your refrigerator is intended for fitted and permanent installation.

We recommend that the appliance is connected by a qualified electrician, who is a member of the N.I.C.E.I.C. and who will comply with the I.E.E. and local regulations.

- Your refrigerator comes supplied with a 13 amp plug fitted. If in future you need to change the fuse in this plug, then a 13 amp ASTA approved (BS 1362) fuse **must** be used.

The wiring in the mains lead is coloured as follows:

Brown	Live
Blue	Neutral
Green and yellow	Earth

- As the colours of the wires in the appliance's mains lead may not correspond with the coloured markings identifying the terminals in your spur box, please proceed as follows:

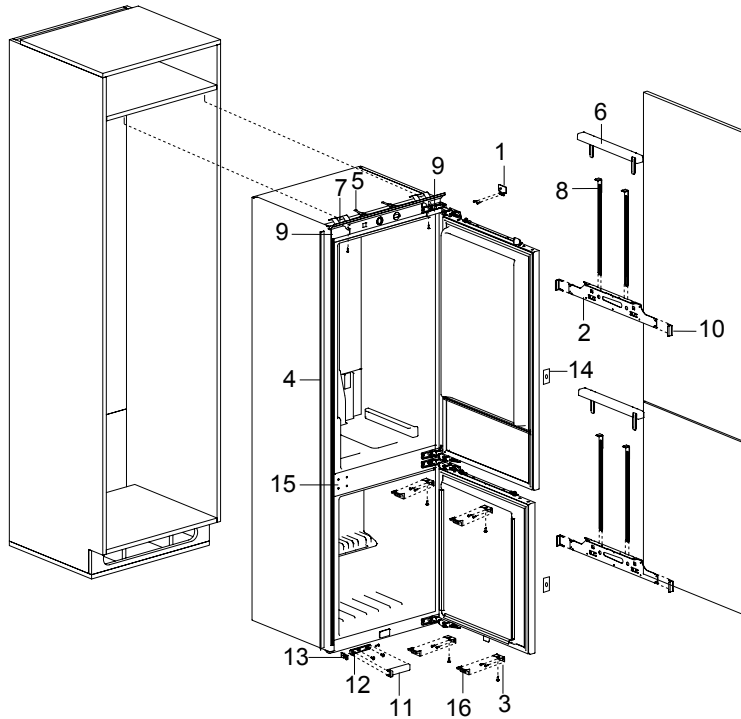
The **brown wire** must be connected to the terminal marked "L" (live), or coloured **red**.

The **blue wire** must be connected to the terminal marked "N" (neutral), or coloured **black**.

The **green and yellow wire** must be connected to the terminal marked "E" (earth), or by the earth symbol, or coloured **green and yellow**.

- When the connection is completed, no stray strands or cut wire should be present. The cord clamp must be secured over the outer sheath.

Exploded view

**Warning!**

To avoid a hazard due to instability of the appliance, it must be fixed in accordance with the instructions.

**Note**

We recommend that two people install this appliance.

Please comply with the following installation procedures to ensure the refrigerator functions correctly.

Installation position

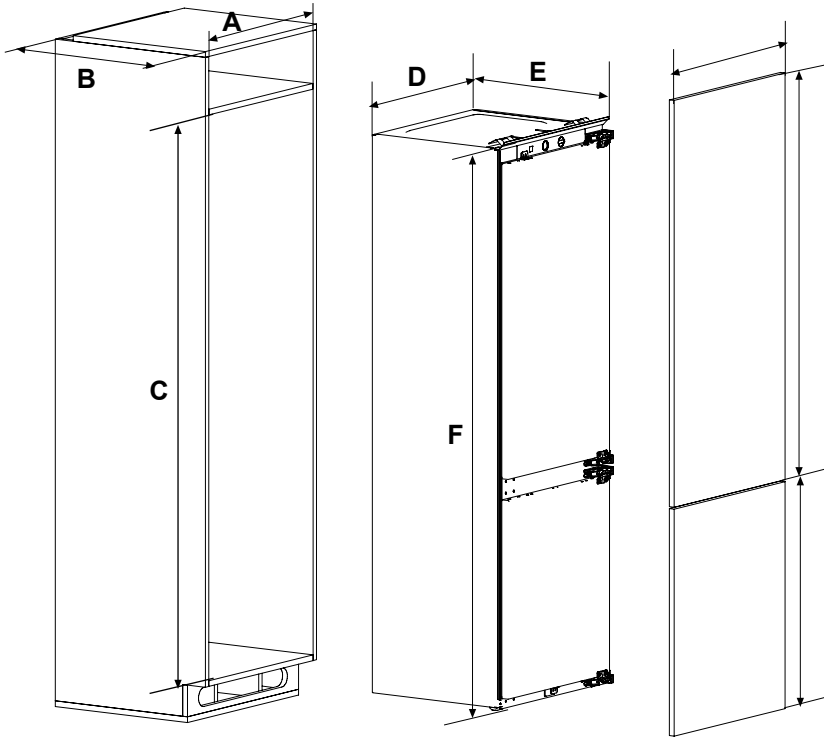
- Do not install the refrigerator in a position directly exposed to sunshine. If situated near an oven, hob, dishwasher or other heating appliances performance may be affected.

Power supply

- Ensure power outlet is easily accessible once the appliance has been installed.
- Plug the refrigerator into a mains socket. Do not plug any power plugs of other appliances into the socket for the refrigerator use. Do not use any extension cord or multi-outlet adapter in case the multi-outlet adapter drops from the socket on the wall under the weight of several power cords.
- Refer to the data plate at left side of the refrigerator to get power requirements.
- Refrigerator must be correctly grounded.

Dimensions

02

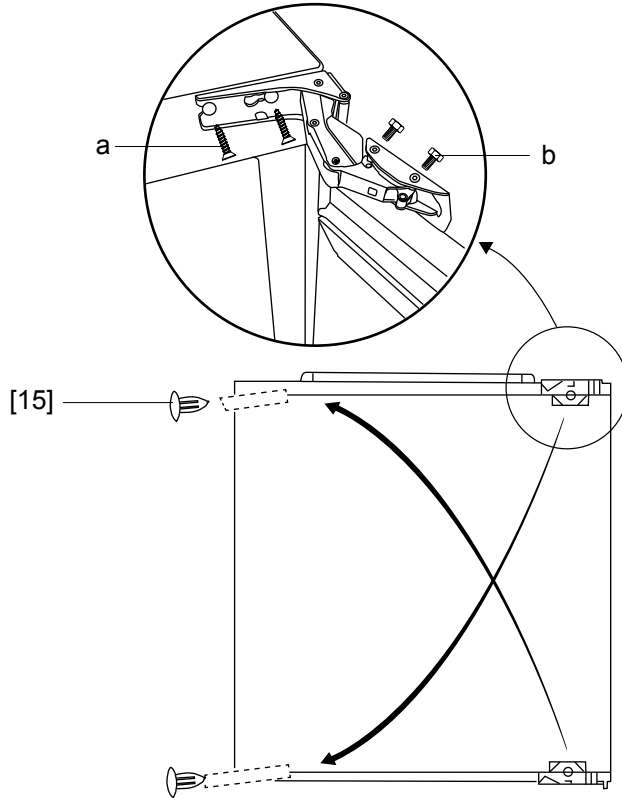


Cabinet dimension (mm) (including the minimum clearance)	
A Inner width	560-570
B Total depth	Min. 550
C Inner height	1790
Product dimension (mm)	
D Total width	555
E Total depth	540
F Total height	1770

03

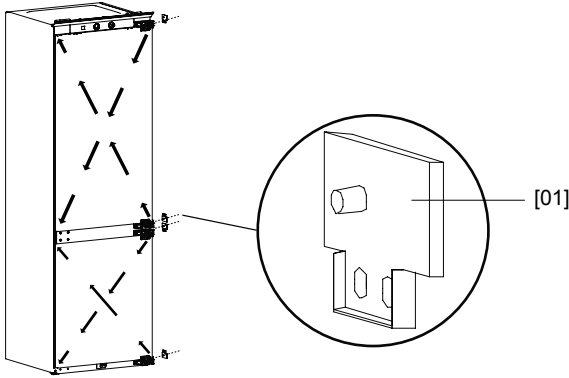


[15] x 8

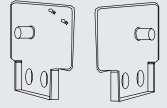


1. Slacken the retaining screws (**a**) on the appliance and then carefully remove the appliance door.
2. Place the appliance door on a cushioned surface, so that damage does not occur to it.
3. Lever off the cover caps (**15**).
4. Insert the retaining screws (**a**) into the opposite side of the appliance from their original position as shown in above diagram. These screws should be partially tightened but not fully tightened.
5. Remove the door retaining screws (**b**) and then reverse the position of the top and bottom hinge (as shown in above diagram).
6. Reattach the appliance door and then fully re-tighten the retaining screws (**a**) and the door retaining screws (**b**).
7. Insert the cover caps (**15**) into the holes that are now exposed on the right hand side of the cabinet.

Preparation work before installation of the cabinet



04



[01] x 2

1. Determining the opening direction.
All door hinges are fitted on the right hand side of the appliance in the factory (door opens from the left) If the doors require reversing the upper and lower hinges need to be moved in the direction of the arrows on the diagram above.
2. Installing clearance adjusting plate.
If a T15 cabinet is being used, the installation clearance adjusting plate is not required.



Caution!

T15 cabinet is a cabinet with a wall thickness of 15 mm.

05



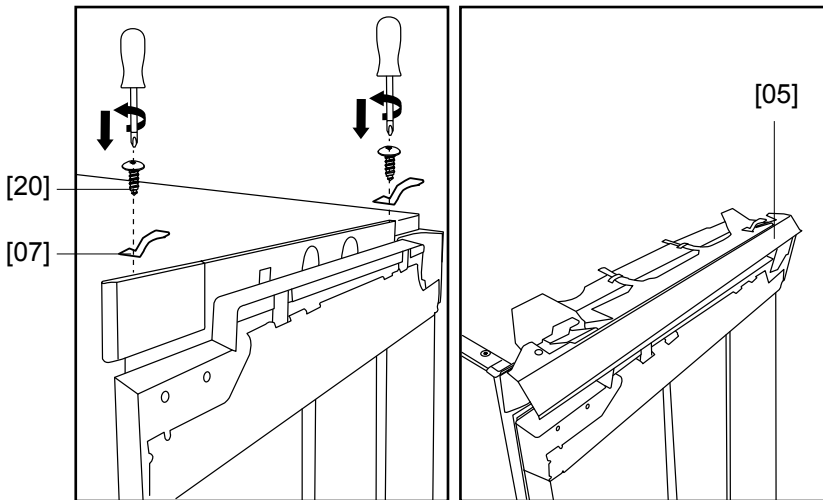
[05] x 1



[07] x 2



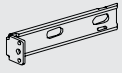
[20] x 4 (4 x 10mm)



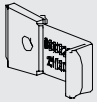
Fix the upper fastenings on the refrigerator with screws first, and then install the upper pad on the refrigerator and ensure the upper pad can move forward and backward at the same time.

31

06



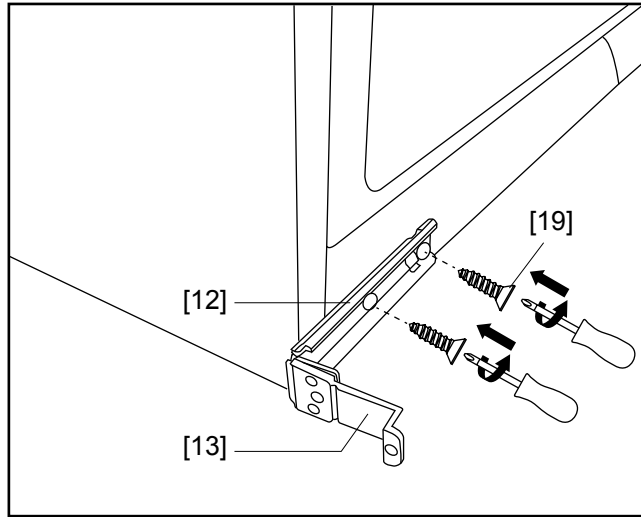
[12] x 1



[13] x 1

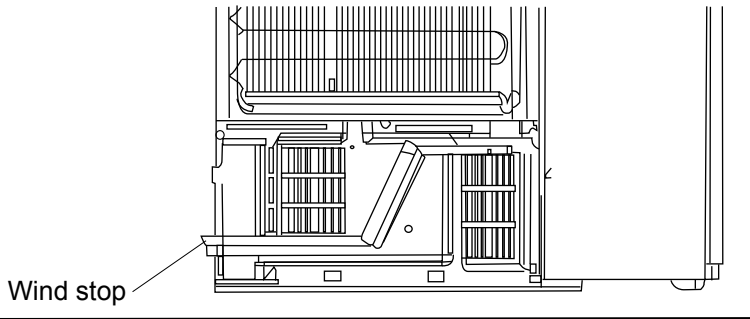


[19] x 2 (5 x 16mm)

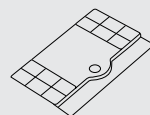


Attach the position adjusting plate [13] to the L shape lower fixing bracket [12], take out the decorative cap then fix to the refrigerator with screws [19].

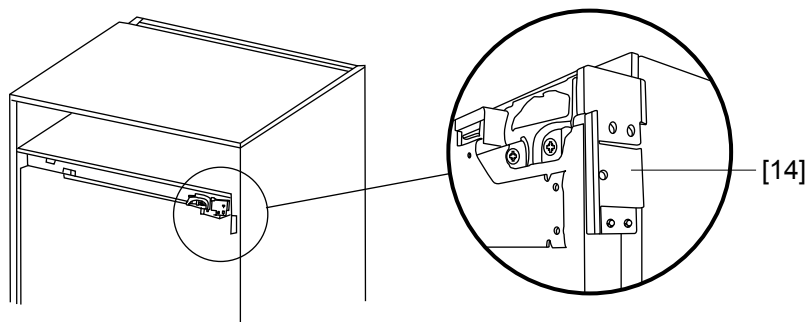
07



Ensure the distance of condenser and cabinet is no less than 10mm.

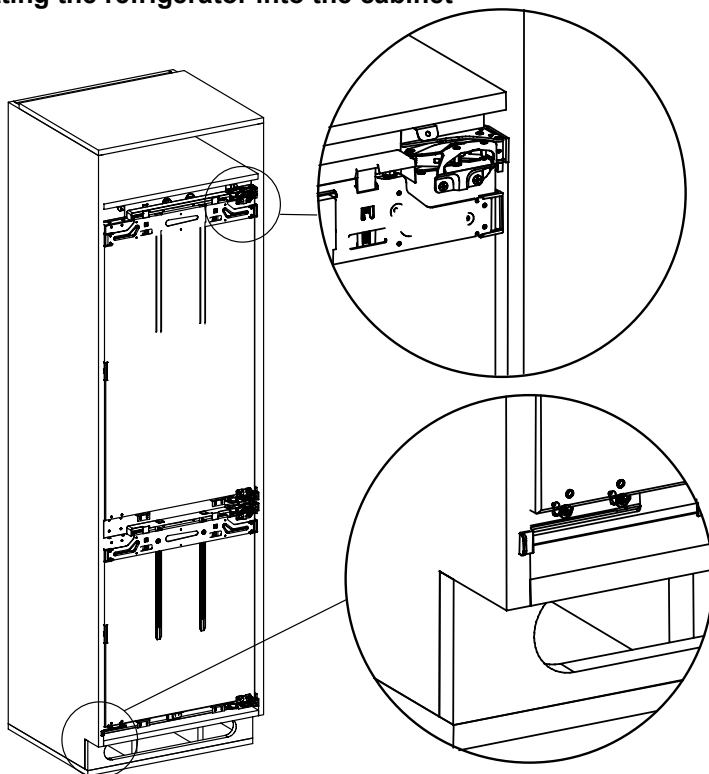
08

[14] x 2



Remove the door gasket baffle from the doors, and install it onto the hinges.

Putting the refrigerator into the cabinet

09

Caution!

Take care not to damage the power cord.
A fire may occur if the power cord is damaged.

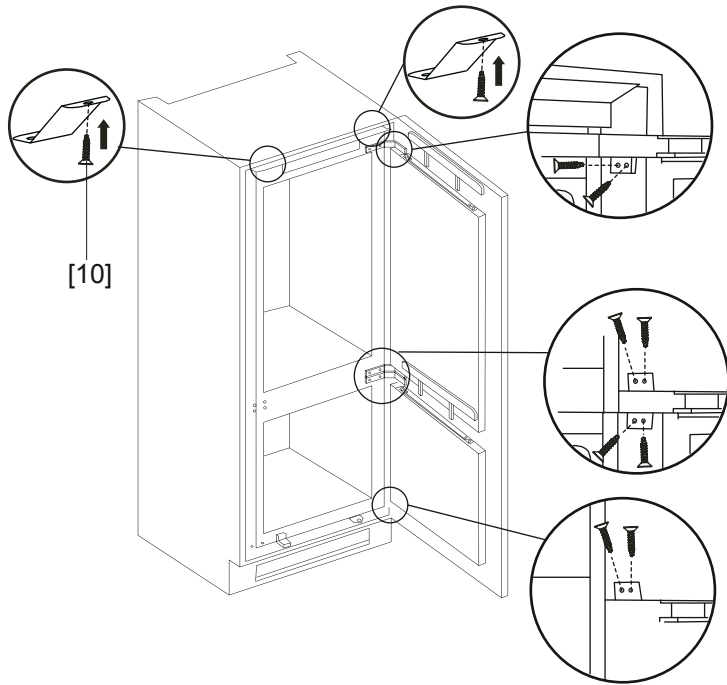
1. Pass the power cord through the back of the cabinet.
2. Lift the refrigerator into the cabinet and adjust position of the refrigerator to ensure the door gasket baffle and the position adjusting plates are closely attached to the front of the cabinet side panels.

33

10



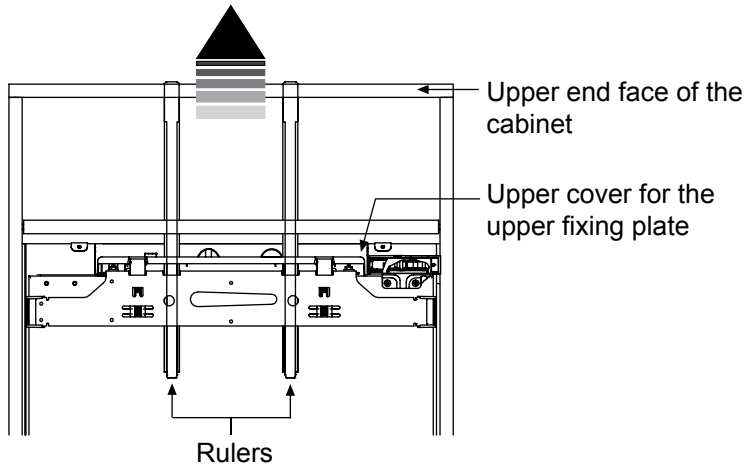
[17] x 10 (3 x 12mm)



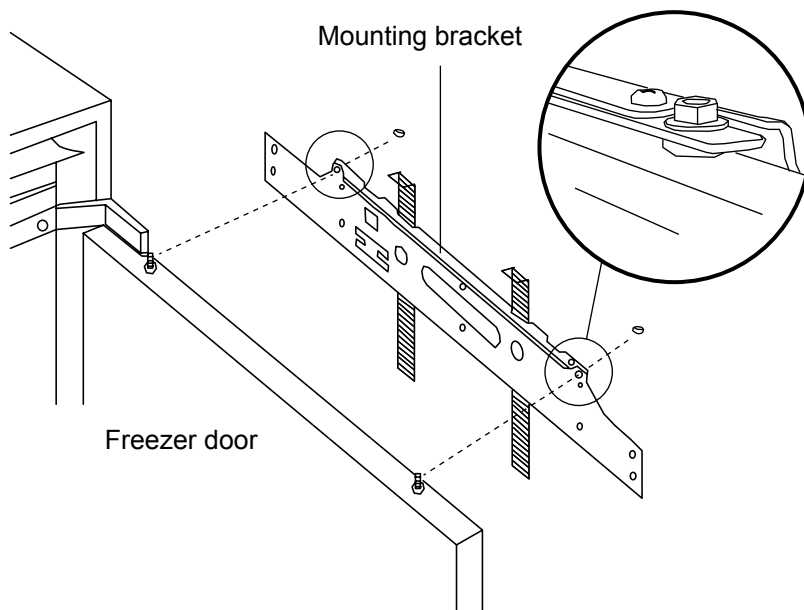
1. Adjust the position of the refrigerator horizontally to make sure clearances between the refrigerator and the cabinet side panels are equal.
2. After fitting the appliance to the cabinet, take out door gasket baffle. Fix the appliance to the cabinet through the hinge screw holes.
3. Fix the upper fastenings with screw [17] and then insert the upper pad.

11

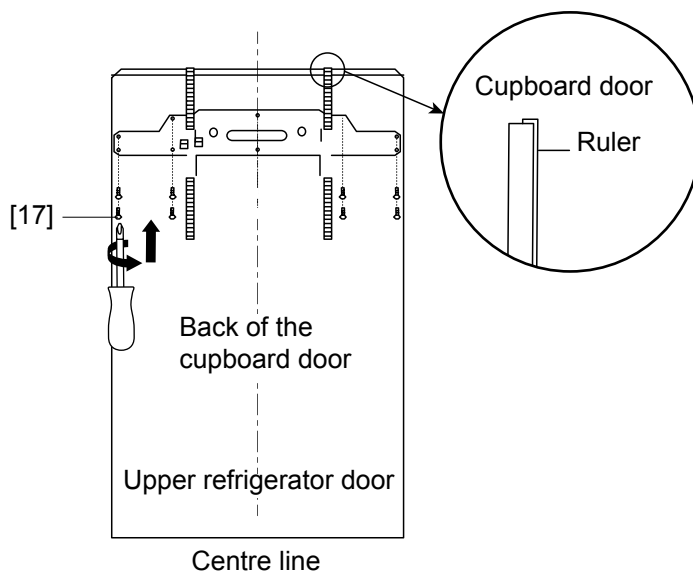
Installing the upper cabinet (decor) door





Take out the upper cover of upper fixing plate, move the ruler reverse it and pass the ruler to the cabinet door track for cabinet door installation reference.



Loosen the screws on the upper fix plate for later adjustment.



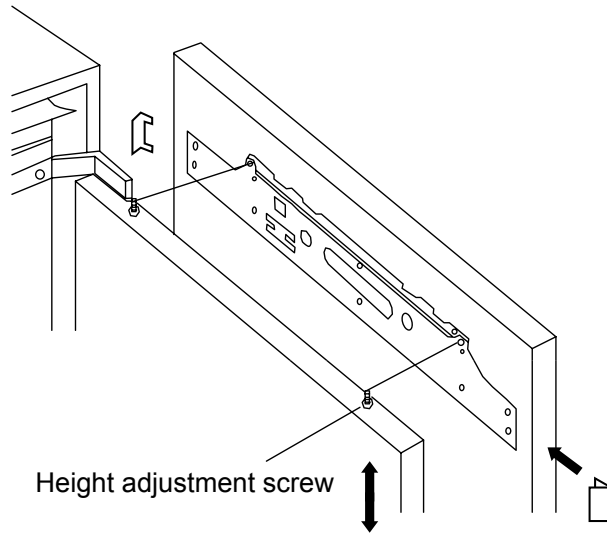
 
[17] x 8 (3 x 12mm)

1. Lay the upper cabinet door face down on a clean floor. Mark a centre line in the back of the cabinet door.
2. Place the fixing bracket on the back of the cabinet door. Align the centres of the door and the bracket. Use the rulers to position the bracket at the correct distance from the door (see diagram). Fix with screws [17] after alignment.

14

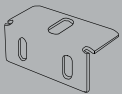


[10] x 2

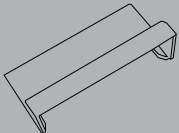


1. Remove the rulers from the upper fix plate.
2. Open the refrigerator door, hang the assembled upper cabinet door onto the height adjustment screw on the top of the refrigerator door, and fix it with screws. (Please do not fasten too tightly so as to allow free horizontal movement of the cabinet door).
3. Insert the upper fix plate covers [10] into the upper (left/right) side - 2 pcs.

15



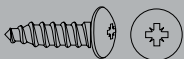
[03] x 2



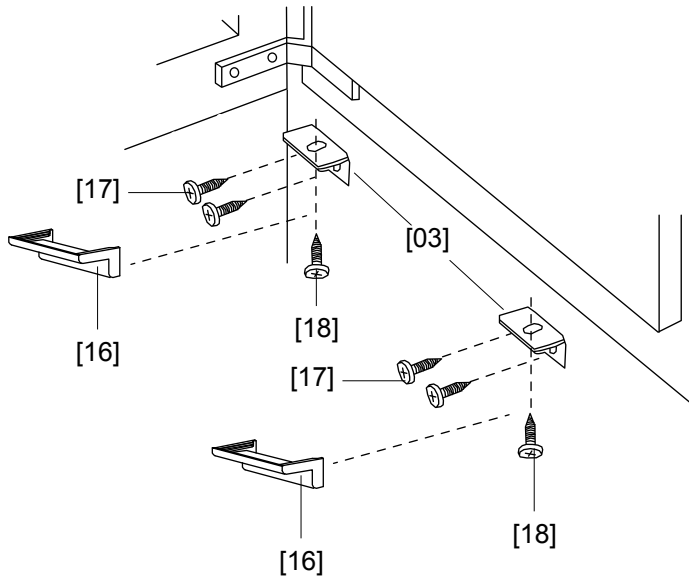
[16] x 2



[17] x 4 (3 x 12mm)



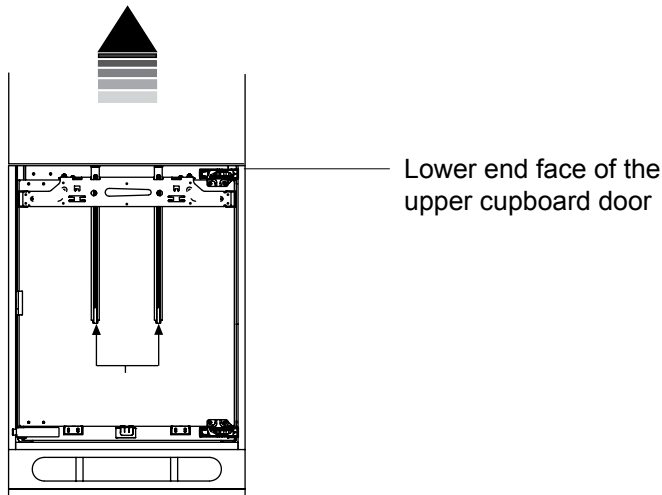
[18] x 2 (5 x 16mm)



Adjust cabinet doors as per their adjustment method (see section 22). After adjustment, use lower fix plate [3] to fix the refrigerator door to the cabinet door using screws [17 & 18].

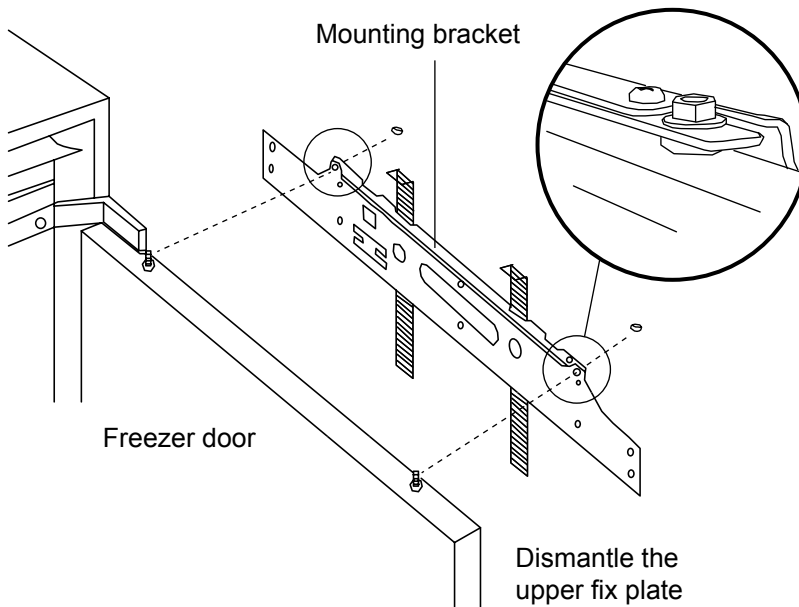
Installing the lower cabinet decor door

16



Take out the upper cover of upper fixing plate, move the ruler reverse it and pass the ruler to the cabinet door track for cabinet door installation reference.

17



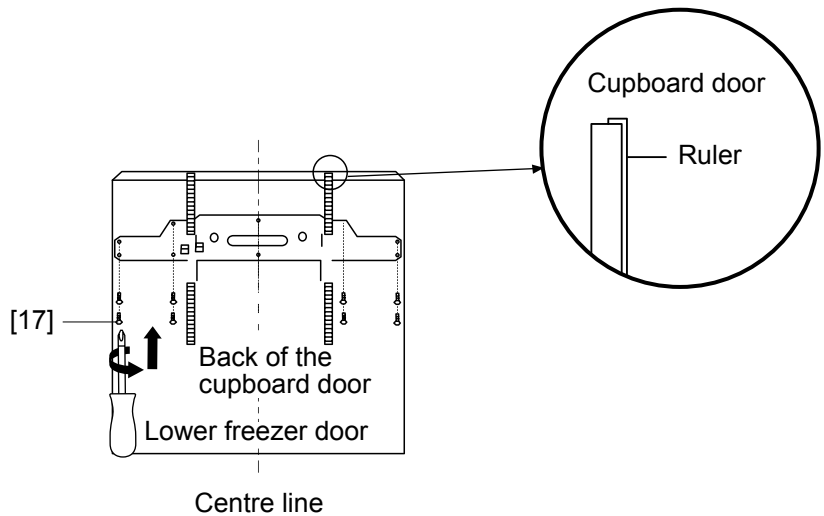
Loosen hexagonal screws on the upper fix plate for later adjustment.

37

18



[17] x 8 (3 x 12mm)

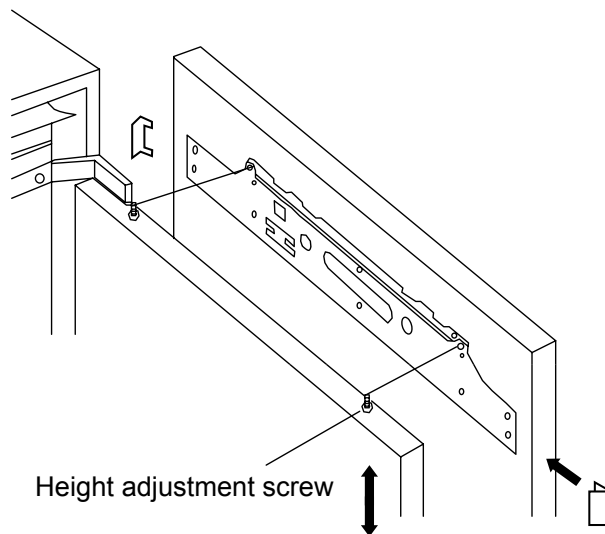


1. Lay the lower cabinet door face down on a clean floor. Mark a centre line in the back of the cabinet door.
2. Place the fixing bracket on the back of the cabinet door. Align the centres of the door and the bracket. Use the rulers to position the bracket at the correct distance from the door (see diagram). Fix with screws [17] after alignment.

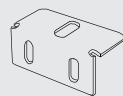
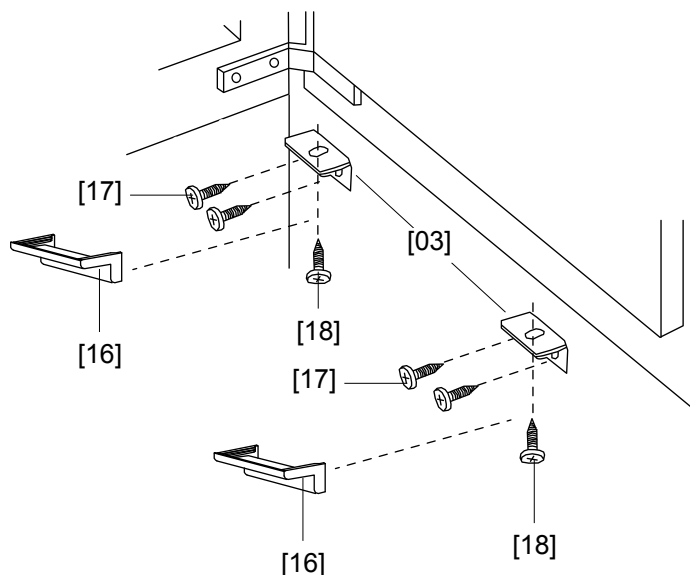
19



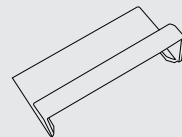
[10] x 2



1. Remove the rulers from the upper fix plate.
2. Open the freezer door, hang the assembled lower cabinet door onto the height adjustment bracket on the top of the freezer door, and fix it with screws. (Please do not fasten too tightly so as to allow free horizontal movement of the cabinet door).
- 38 3. Insert the upper fix plate covers [10] into the lower (left/right) side - 2 pcs.



[03] x 2



[16] x 2



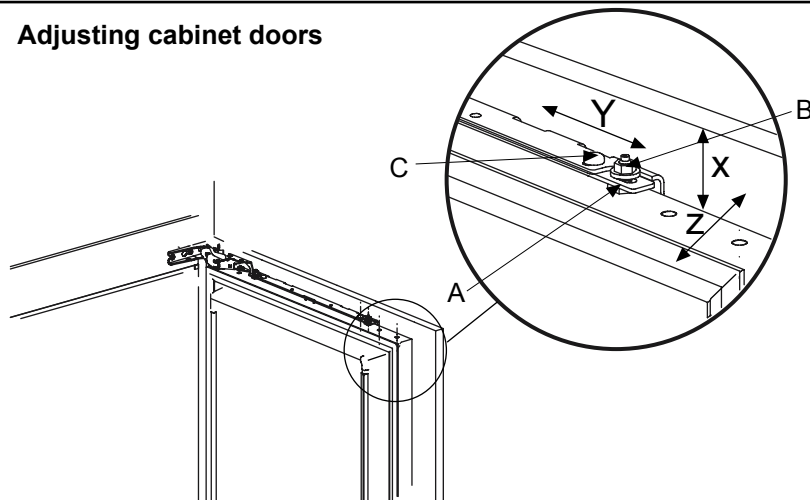
[17] x 4 (3 x 12mm)



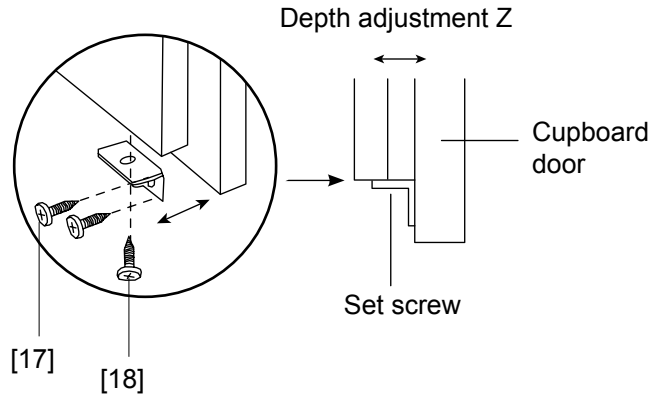
[18] x 2 (5 x 16mm)

Adjust cabinet doors as per their adjustment method (see section 22). After adjustment, use lower fix plate [3] to fix the refrigerator door to the cabinet door using screws [17 & 18]

Adjusting cabinet doors

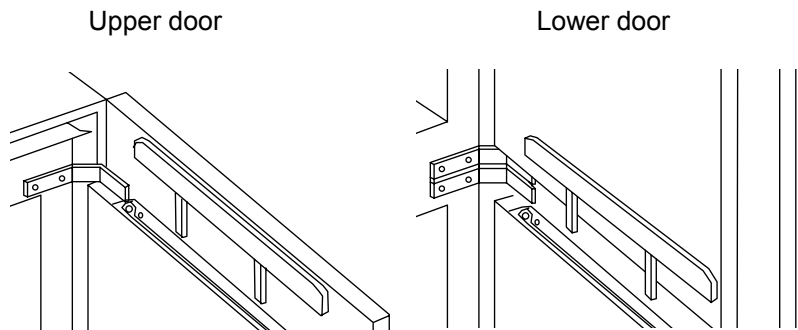


1. Refer to the installation method for the cabinet (decor) doors for fixing hangers on the refrigerator doors.
2. Adjust the cabinet door height (X) by turning the height adjustment nut (A). Check that doors are level.
3. Loosen nut (B) slightly, and move the refrigerator doors left/right until the cabinet door fit the appliance centred. The cabinet door can also be adjusted by screws (C) on above diagram.
4. When you are happy with the position of the doors, tighten the hex nuts (B) and the Phillips screws (C).



To adjust the upper and the bottom of the cabinet doors

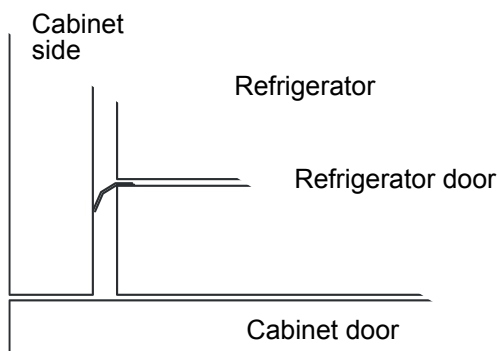
1. Loosen lower fix plate anchor screws [18] slightly, adjust the depth (Z), and then fasten screws tightly.
2. Insert cabinet door anchor screws [17] into the other holes on the lower fix plate and fasten them after adjusting horizontal position of the cabinet door.



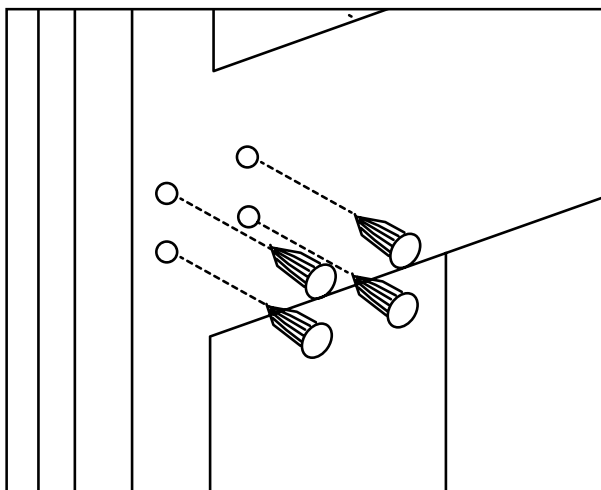
Insert the upper fix plate covers [06] into the upper fix plate [02] - 2 pcs.



[04] x 2



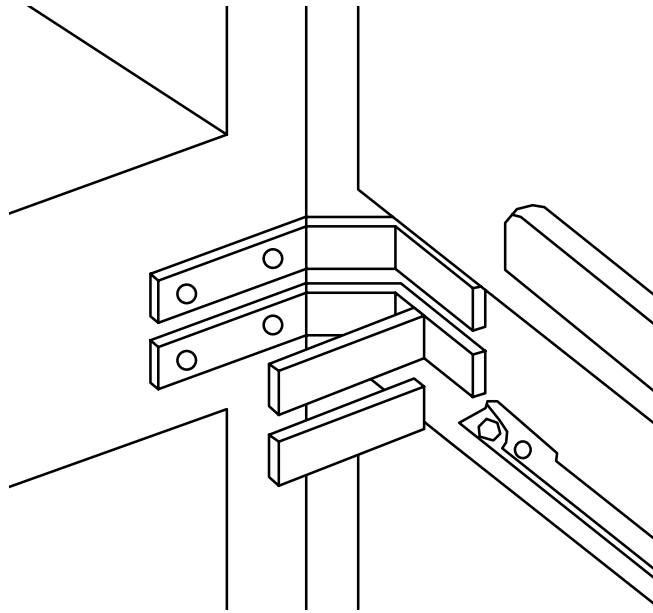
If you desire you can insert two optional side seals into the clearance between the refrigerator and the cabinet side to give a better appearance.

**Warning!**

Keep ventilation openings, in the appliance enclosure or in the built-in structure, clear of obstruction.

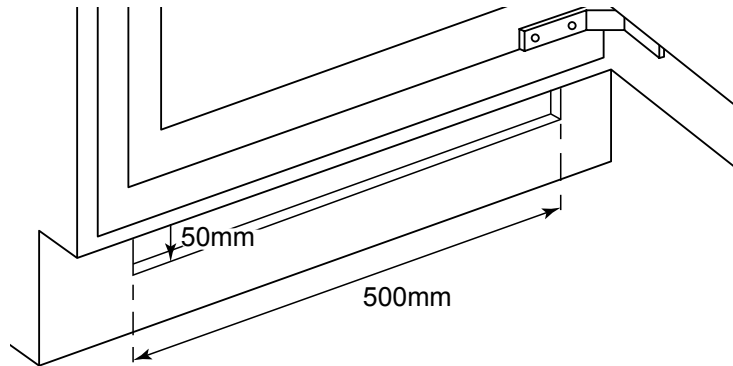
Remember to insert positioning pin of hinge hole (4 pcs). If the doors have been reversed.

26



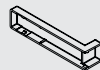
Remember to insert hinge covers (4 pcs) if the door are reversed.

27



Cut a ventilation slot into the lower plinth minimum size 50 x 500mm.

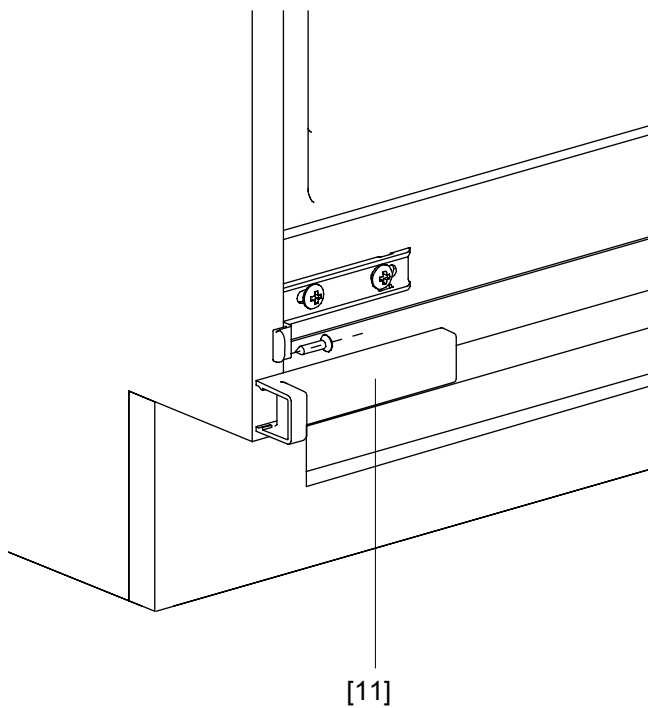
42



[11] x 1



[17] x 1



Fit the cover plate [11] to the L shaped lower fixing bracket [12].



B&Q plc,
Chandlers Ford, Hants,
SO53 3LE United Kingdom
www.diy.com
