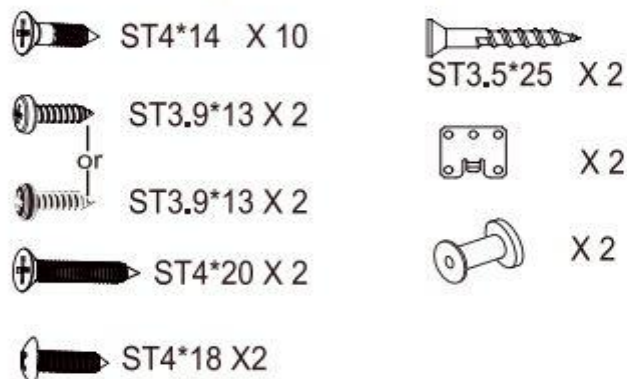




Dishwasher:DWI45M

45cm door template part number 1617600001398

Installation Kit part number 670400058002

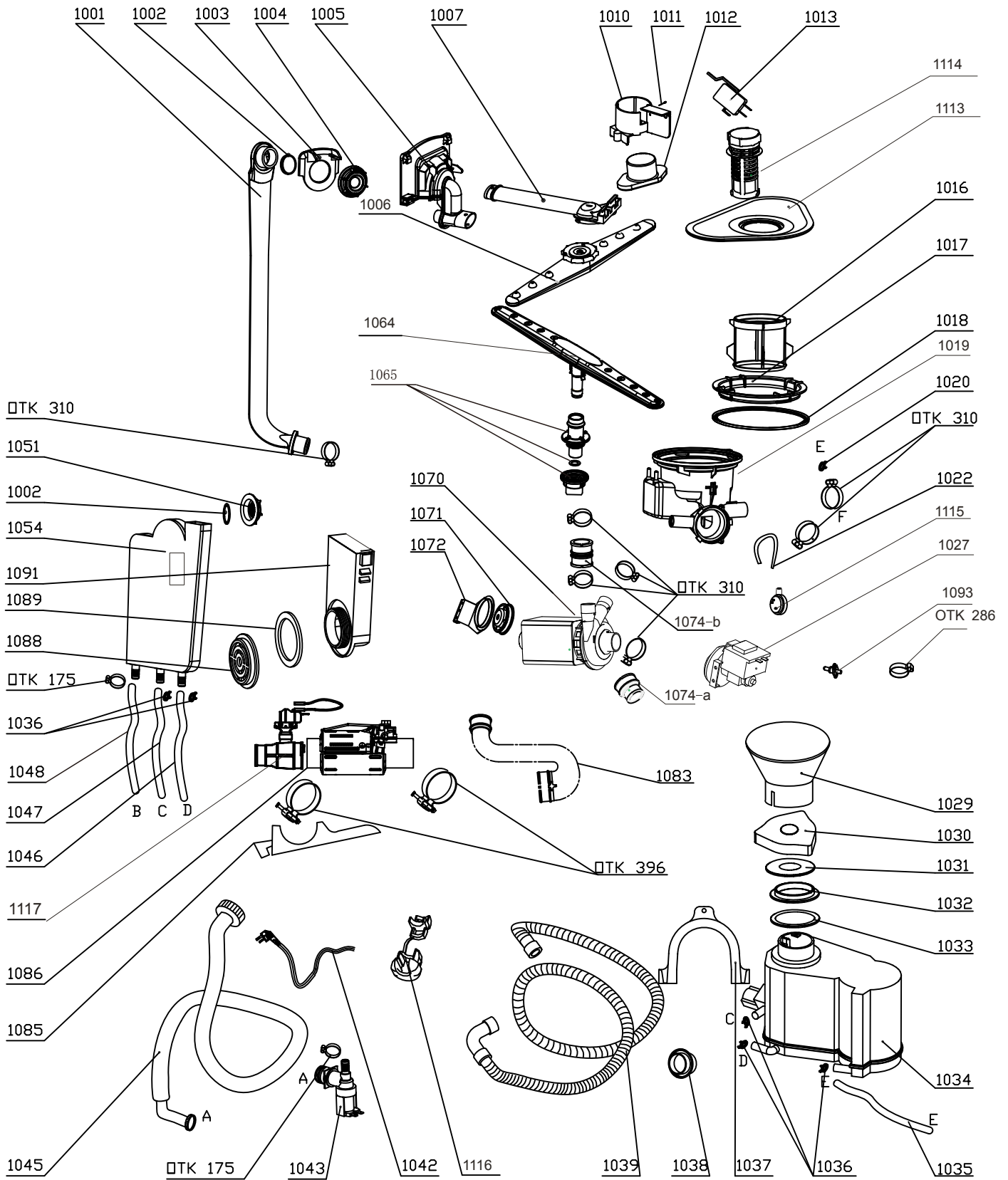


Version:01

Date:2014-09-23

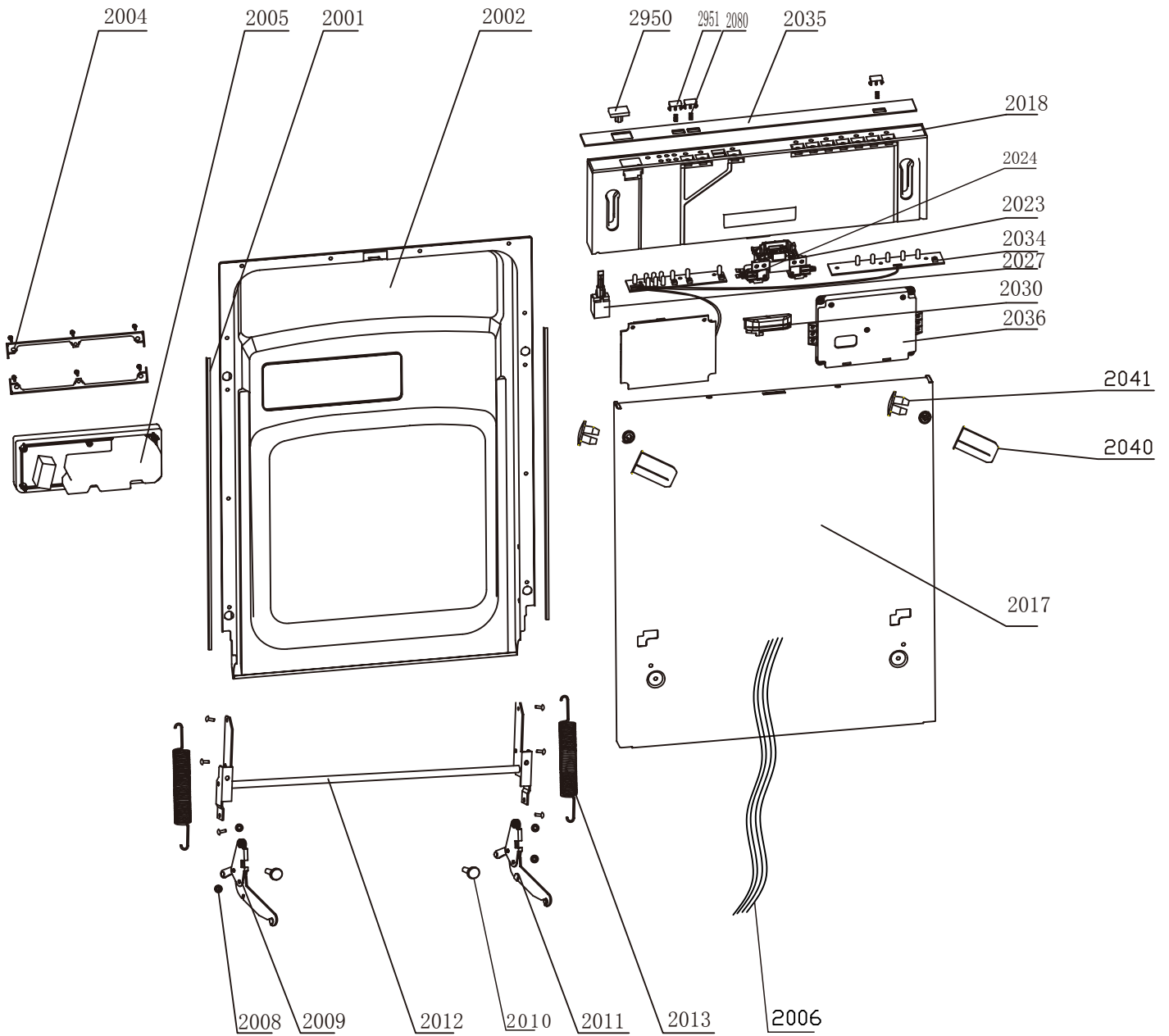
Product reference code: DWI45M




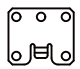




DWI45M Exploded drawing(1)



01	add to the fitting kit	Eason	2014.9.23
00	New document	Eason	2014.5.23
Index	Modify description	Modified by	Date

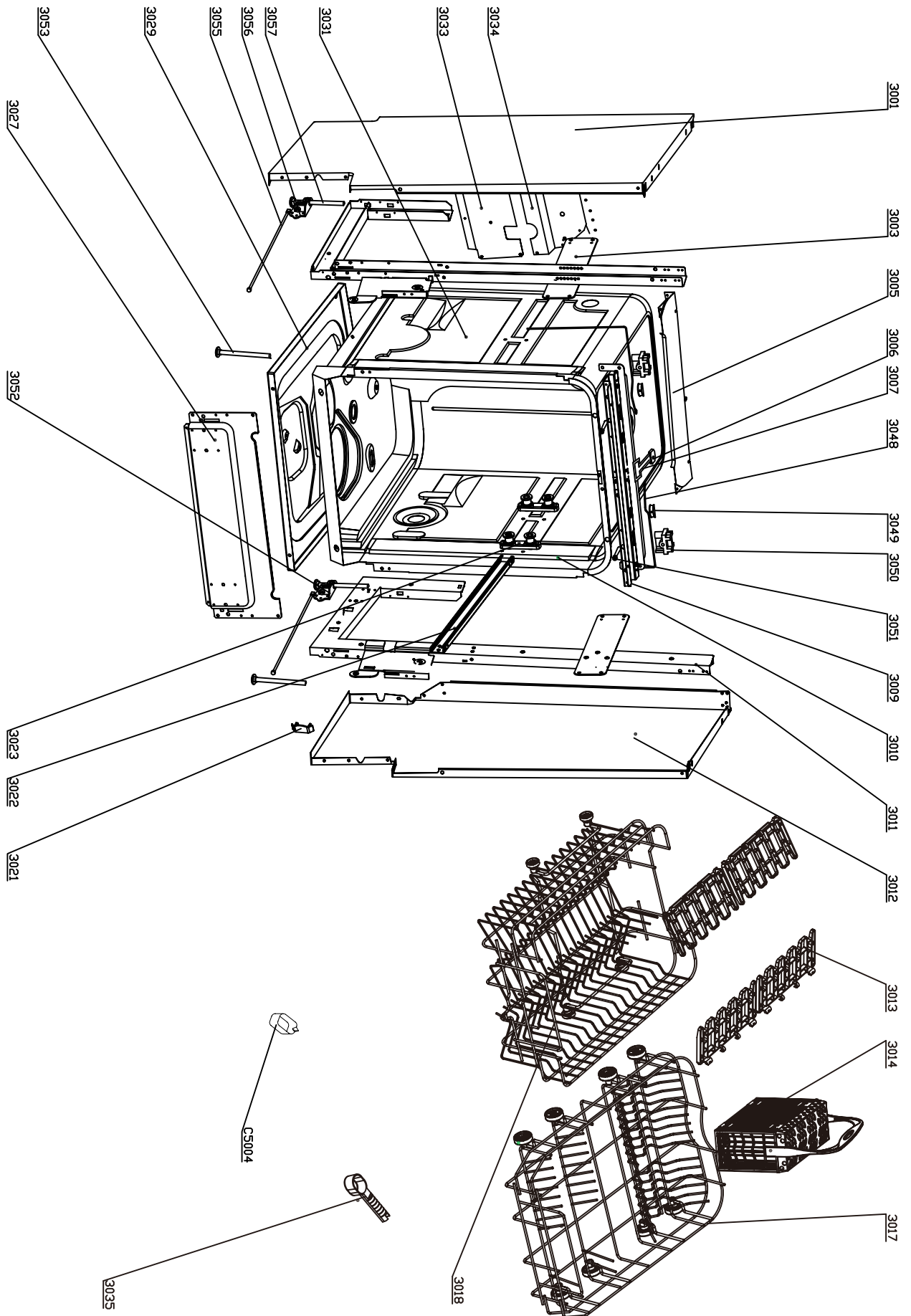
DWI45M Exploded drawing(2)



	ST4*14 X 10		ST3.5*25 X 2
	ST3.9*13 X 2		X 2
	ST3.9*13 X 2		X 2
	ST4*20 X 2		
	ST4*18 X 2		

6666

DWI45M Exploded drawing(3)



DWI45M parts list(1)

NO.	Fart code	part description	Quantity
1001	673000900223	External pipe	1
1002	673001500005	O Ring I 31.5X3.55	2
1003	673001800364	Guide casing	1
1004	673001600021	External pipe nut	1
1005	673001900038	Water dispenser	1
1006	673000300077	Upper sprayer	1
1007	673000900195	Upper sprayer pipe	1
1012	673002300003	Float	1
1016	673002500072	Micro filter	1
1017	673001600022	Sump nut	1
1018	673001500122	Sump gasket	1
1019	673000700081	Sump	1
1020	672000700028	Clamp 12.7×1.8	1
1022	673000900160	PVC hose	1
1027	674000600106	Drain pump	1
1029	673002200043	Salt filler	1
1030	673002800050	Softener cover assembly	1
1031	673001700080	Softener cover gasket	1
1032	673001600039	Softener nut	1
1033	673001700001	Softener gasket	1
1034	674000700020	Softener	1
1036	672000700029	Clamp 14.5×1.8	3
1037	673006200027	Drain hose hook	1
1038	673001500002	Drain hose holder	1
1039	673000900251	Drain hose	1
1042	674000000194	Power cord	1
1043	674000200002	Inlet valve	1
1045	673000900205	Inlet hose assembly	1
1046	673000900026	Regeneration hose	1
1048	673000900237	Inlet hose of air breather	1
1051	673001600025	Air breather nut	1
1054	673002700607	Air breather assembly	1
1064	670400051618	Lower sprayer	1
1065	673001200027	Lower sprayer connection assembly	1
1070	674005600080	Washing pump	1
1083	673000900045	Bend connect hose	1
1085	673001400025	Heating element support	1
1086	674001100044	Heating elements	1
1088	673001600024	Water inlet nut	1
1089	673001500019	Water inlet gasket	1
1091	673002600063	Water inlet	1
1093	674000900053	Sensing device	1
1113	672000600021	plane filter	1
1114	673001300179	Scran collection	1
1115	674000302020	Pressure switch	1
1116	673001400083	power cord clasper	1
1117	674000302006	pressure switch assembly for heating	1
2001	673002000084	Door edge guard piece	2
2002	672002200393	Inner door	1
2004	672001700002	Dispenser bracket	2
2005	674000800058	Dispenser	1
2006	674000101006	Wiring harness	1
2008	672000500006	Ring Ø6	4
2009	672001300029	Left hinge	1
2010	672001200012	Joint pin	2
2011	672001300030	Right hinge	1
2012	672001300023	Door gemel assembly	1
2013	672000100004	Door spring	2
2017	672001800818	Outer door	1

DWI45M parts list(2)

2018	673000405857	Control panel	1
2023	673001800513	Handle assembly	1
2024	674010030000	Door switch	1
2027	674000300065	Power switch	1
2030	673002800041	Control panel cover	1
2034	674001001631	Control board	1
2035	673002903326	Control panel film	1
2036	673002400190	Control board box	1
2040	673001800018	Screw sleeve	2
2041	673000700005	Sleeve cover	2
2080	672000100012	button spring	3
2950	673000811063	Power button	1
2951	673000801822	Program key	3
3001	672001600212	Left side panel	1
3003	672002190005	Left uprights	1
3005	672001500003	Upper rear crosspiece	1
3006	673001300634	door clamp	1
3007	672001400039	door lock	1
3009	672001500319	Upper front crosspiece	1
3010	673001700078	Tank gasket	1
3011	672002190006	Right uprights	1
3012	672001600211	Right panel	1
3013	673001300102	Upper basket cup holder	4
3014	673002200100	Cutlery basket assembly	1
3017	672000803069	Lower basket	1
3018	672000803017	Upper basket	1
3021	673001300181	Rail block	2
3022	672001701000	Rail	2
3023	673001401005	Rail support assembly	4
3027	672001500325	Lower front crosspiece	1
3029	672002000065	Base tray	1
3031	672001902142	Tank	1
3033	672001500200	Lower rear crosspiece	1
3034	672001500114	Middle rear crosspiece	1
3035	673002200079	Measurable spoon	1
3048	672001100004	Adjust steel rope	2
3049	672002300002	Adjust nut	2
3050	673001300012	Top board hook	2
3051	672001100003	Adjust screw	2
3052	673001400146	Right adjuster holder assembly	1
3053	672001400045	Front foot	2
3055	672001100002	Adjustable pole	2
3056	673001400145	Left adjuster holder assembly	1
3057	672001400046	Back foot	2
1010/1011/1013	673001490016	Float support assembly	1
1035/1047	673000900224	Softener pipe	2
1071/1072	672000200054	Washing motor support	1
1074-a	673000900228	Connect hose a	1
1074-b	673000900229	Connect hose b	1
C5004	673006200004	rinsing agent cup	1
OTK 175	672000700004	OTK 175	2
OTK 286	672000700003	OTK 286	1
OTK 310	672000700001	OTK 310	7
OTK 396	672000700007	OTK 396	2
6666	670400058002	the fitting kit	1